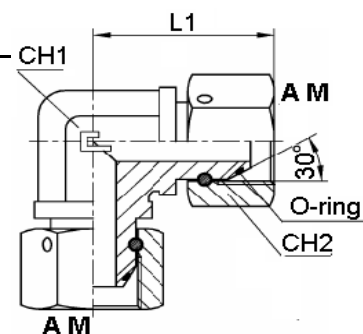


# VISOKOTLAČNI NIPELI I REDUKCIJE - KUTNI

Tip	Oznaka PARKER	Napomena
-----	------------------	----------

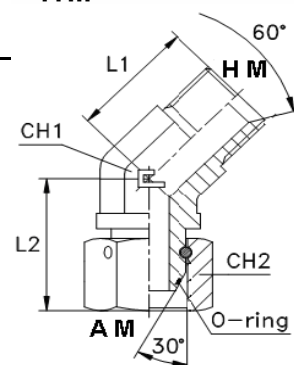
## A M L90K A M

A M12x1,5	L90K	A M12x1,5
A M14x1,5	L90K	A M14x1,5
A M16x1,5	L90K	A M16x1,5
A M18x1,5	L90K	A M18x1,5
A M22x1,5	L90K	A M22x1,5
A M26x1,5	L90K	A M26x1,5
A M30x1,5	L90K	A M30x1,5



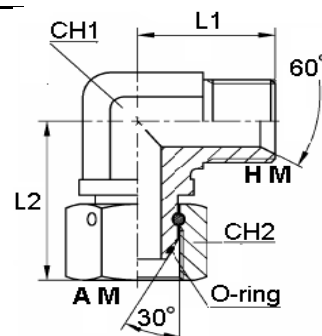
## A M L45K H M

A M12x1,5	L45K	H M12x1,5
A M14x1,5	L45K	H M14x1,5
A M16x1,5	L45K	H M16x1,5
A M18x1,5	L45K	H M18x1,5
A M22x1,5	L45K	H M22x1,5
A M26x1,5	L45K	H M26x1,5
A M30x1,5	L45K	H M30x1,5



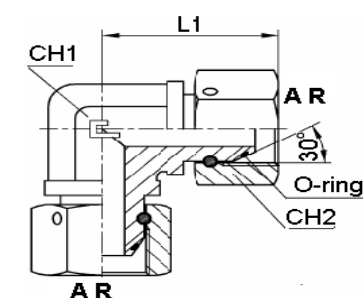
## A M L90K H M

A M12x1,5	L90K	H M12x1,5
A M14x1,5	L90K	H M14x1,5
A M16x1,5	L90K	H M16x1,5
A M18x1,5	L90K	H M18x1,5
A M22x1,5	L90K	H M22x1,5
A M26x1,5	L90K	H M26x1,5
A M30x1,5	L90K	H M30x1,5



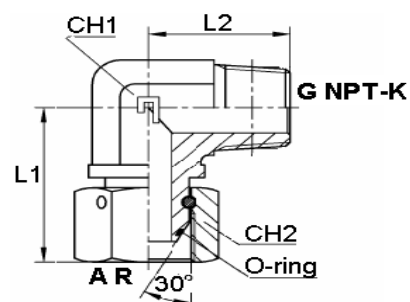
## A R L90K A R

A R 1/8"	L90K	A R 1/8"
A R 1/4"	L90K	A R 1/4"
A R 3/8"	L90K	A R 3/8"
A R 1/2"	L90K	A R 1/2"
A R 5/8"	L90K	A R 5/8"
A R 3/4"	L90K	A R 3/4"
A R1"	L90K	A R1"
A R1.1/4"	L90K	A R1.1/4"
A R1.1/2"	L90K	A R1.1/2"
A R2"	L90K	A R2"



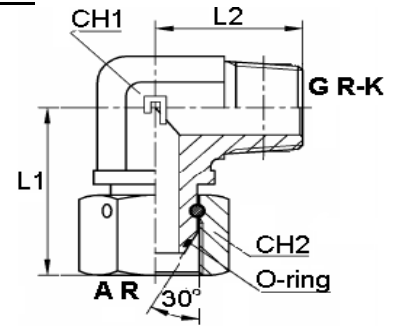
## A R L90K G NPT-K

A R 1/8"	L90K	G NPT 1/8"K
A R 1/4"	L90K	G NPT 1/4"K
A R 3/8"	L90K	G NPT 3/8"K
A R 1/2"	L90K	G NPT 1/2"K
A R 5/8"	L90K	G NPT 1/2"K
A R 3/4"	L90K	G NPT 3/4"K
A R1"	L90K	G NPT1"K
A R1.1/4"	L90K	G NPT1.1/4"K
A R1.1/2"	L90K	G NPT1.1/2"K
A R2"	L90K	G NPT2"K



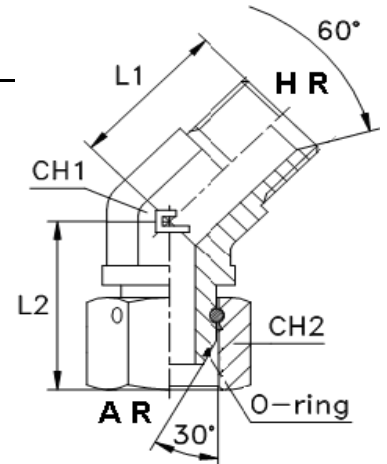
**A R L90K G R-K**

A R 1/8"	L90K	GR	1/8"K
A R 1/4"	L90K	GR	1/4"K
A R 3/8"	L90K	GR	3/8"K
A R 1/2"	L90K	GR	1/2"K
A R 5/8"	L90K	GR	1/2"K
A R 3/4"	L90K	GR	3/4"K
A R 1"	L90K	GR	1"K
A R 1.1/4"	L90K	GR	1.1/4"K
A R 1.1/2"	L90K	GR	1.1/2"K
A R 2"	L90K	GR	2"K



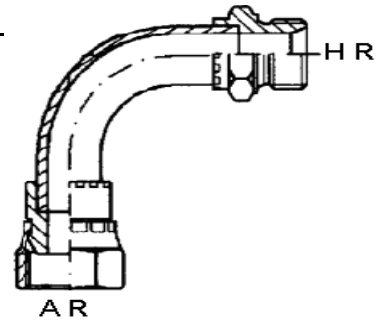
**A R L45K H R**

A R 1/8"	L45K	HR	1/8"
A R 1/4"	L45K	HR	1/4"
A R 3/8"	L45K	HR	3/8"
A R 1/2"	L45K	HR	1/2"
A R 5/8"	L45K	HR	5/8"
A R 3/4"	L45K	HR	3/4"
A R 1"	L45K	HR	1"
A R 1.1/4"	L45K	HR	1.1/4"
A R 1.1/2"	L45K	HR	1.1/2"
A R 2"	L45K	HR	2"



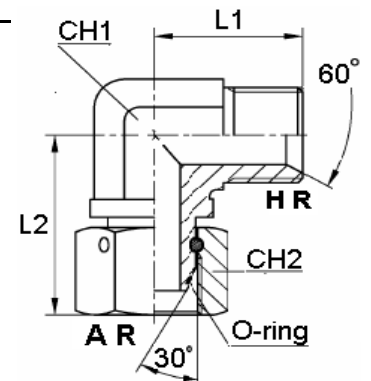
**A R L90 H R**

A R 1/4"	L90	HR	1/4"
A R 3/8"	L90	HR	3/8"
A R 1/2"	L90	HR	1/2"
A R 5/8"	L90	HR	5/8"
A R 3/4"	L90	HR	3/4"
A R 1"	L90	HR	1"
A R 1.1/4"	L90	HR	1.1/4"



**A R L90K H R**

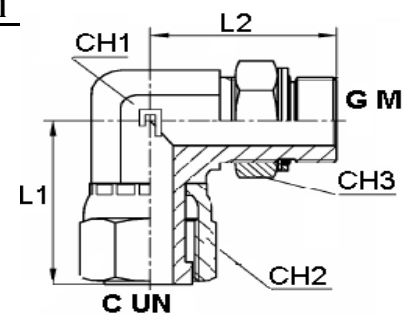
A R 1/8"	L90K	HR	1/8"
A R 1/4"	L90K	HR	1/4"
A R 3/8"	L90K	HR	3/8"
A R 1/2"	L90K	HR	1/2"
A R 5/8"	L90K	HR	5/8"
A R 3/4"	L90K	HR	3/4"
A R 1"	L90K	HR	1"
A R 1.1/4"	L90K	HR	1.1/4"
A R 1.1/2"	L90K	HR	1.1/2"
A R 2"	L90K	HR	2"



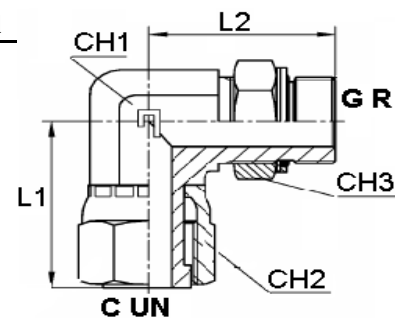
**C UN/UNF/UNS L90K G M**

C UNF 9/16"	L90K	G M	M12x1,5 pds
C UN 11/16"	L90K	G M	M14x1,5 pds
C UN 13/16"	L90K	G M	M18x1,5 pds
C UNS 1"	L90K	G M	M22x1,5 pds
C UN 1. 3/16"	L90K	G M	M27x2 pds
C UN 1. 7/16"	L90K	G M	M33x2 pds
C UN 1.11/16"	L90K	G M	M42x2 pds
C UN 2"	L90K	G M	M48x2 pds

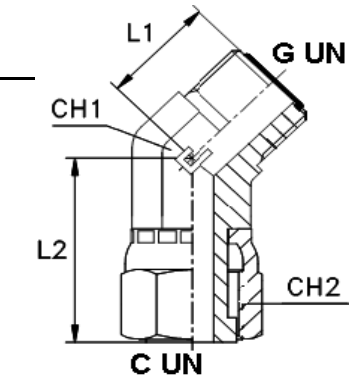
podesivi nipel



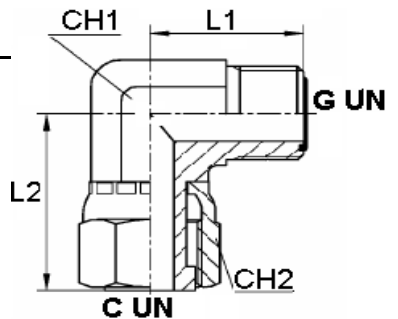
C UN/UNF/UNS	L90K	G R		podesivi nipel
C UNF 9/16"	L90K	G R 1/8" pds		
C UN 11/16"	L90K	G R 1/4" pds		
C UN 13/16"	L90K	G R 3/8" pds		
C UNS1"	L90K	G R 1/2" pds		
C UN 1. 3/16"	L90K	G R 3/4" pds		
C UN 1. 7/16"	L90K	G R1" pds		
C UN 1.11/16"	L90K	G R1.1/4" pds		
C UN 2"	L90K	G R1.1/2" pds		



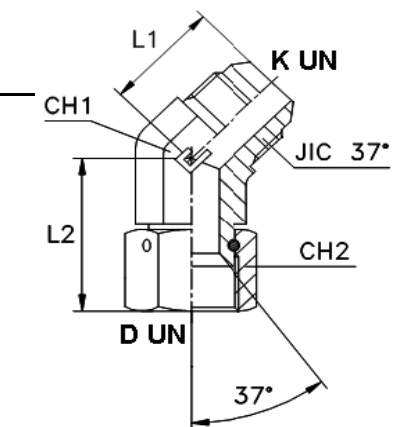
C UN/UNF/UNS	L45K	G UN/UNF/UNS	V6LO	
C UNF 9/16"	L45K	G UNF 9/16"	4 V6LOS	
C UN 11/16"	L45K	G UN 11/16"	6 V6LOS	
C UN 13/16"	L45K	G UN 13/16"	8 V6LOS	
C UNS1"	L45K	G UNS1"	10 V6LOS	
C UN 1. 3/16"	L45K	G UN 1. 3/16"	12 V6LOS	
C UN 1. 7/16"	L45K	G UN 1. 7/16"	16 V6LOS	
C UN 1.11/16"	L45K	G UN 1.11/16"	20 V6LOS	
C UN 2"	L45K	G UN 2"	24 V6LOS	



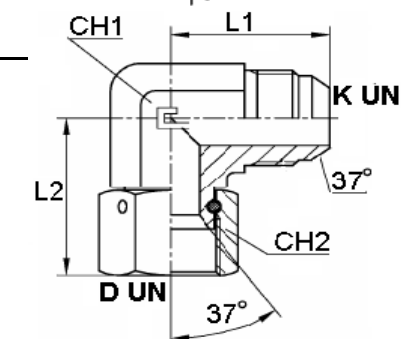
C UN/UNF/UNS	L90K	G UN/UNF/UNS	C6MLO	
C UNF 9/16"	L90K	G UNF 9/16"	4 C6MLOS	
C UN 11/16"	L90K	G UN 11/16"	6 C6MLOS	
C UN 13/16"	L90K	G UN 13/16"	8 C6MLOS	
C UNS1"	L90K	G UNS1"	10 C6MLOS	
C UN 1. 3/16"	L90K	G UN 1. 3/16"	12 C6MLOS	
C UN 1. 7/16"	L90K	G UN 1. 7/16"	16 C6MLOS	
C UN 1.11/16"	L90K	G UN 1.11/16"	20 C6MLOS	
C UN 2"	L90K	G UN 2"	24 C6MLOS	



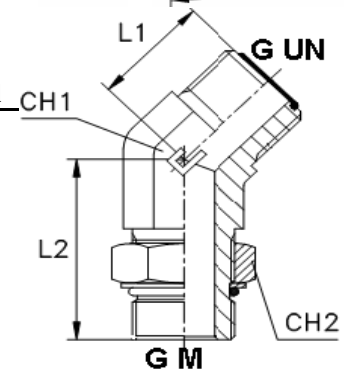
D UN/UNF	L45K	K UN/UNF	V6XS	
D UNF 7/16"	L45K	K UNF 7/16"	4 V6XS	
D UNF 1/ 2"	L45K	K UNF 1/ 2"	5 V6XS	
D UNF 9/16"	L45K	K UNF 9/16"	6 V6XS	
D UNF 3/ 4"	L45K	K UNF 3/ 4"	8 V6XS	
D UNF 7/ 8"	L45K	K UNF 7/ 8"	10 V6XS	
D UN1.1/16"	L45K	K UN1.1/16"	12 V6XS	
D UN1.5/16"	L45K	K UN1.5/16"	16 V6XS	
D UN1.5/ 8"	L45K	K UN1.5/ 8"	20 V6XS	
D UN1.7/ 8"	L45K	K UN1.7/ 8"	24 V6XS	



D UN/UNF	L90K	K UN/UNF	C6MXS	
D UNF 7/16"	L90K	K UNF 7/16"	4 C6MXS	
D UNF 1/ 2"	L90K	K UNF 1/ 2"	5 C6MXS	
D UNF 9/16"	L90K	K UNF 9/16"	6 C6MXS	
D UNF 3/ 4"	L90K	K UNF 3/ 4"	8 C6MXS	
D UNF 7/ 8"	L90K	K UNF 7/ 8"	10 C6MXS	
D UN1.1/16"	L90K	K UN1.1/16"	12 C6MXS	
D UN1.5/16"	L90K	K UN1.5/16"	16 C6MXS	
D UN1.5/ 8"	L90K	K UN1.5/ 8"	20 C6XS	
D UN1.7/ 8"	L90K	K UN1.7/ 8"	24 C6XS	

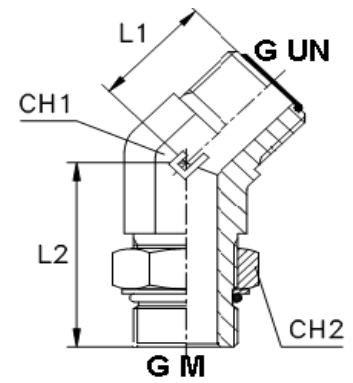


G M pds	L45K	G UN/UNF/UNS	V8OMLO	podesivi nipel
G M10x1 pds	L90K	G UNF 9/16"	4 M10 V8OMLOS	
G M12x1,5 pds	L90K	G UNF 9/16"	4 M12 V8OMLOS	
G M14x1,5 pds	L90K	G UN 11/16"	6 M14 V8OMLOS	
G M16x1,5 pds	L90K	G UN 11/16"	6 M16 V8OMLOS	
G M16x1,5 pds	L90K	G UN 13/16"	8 M16 V8OMLOS	
G M18x1,5 pds	L90K	G UN 13/16"	8 M18 V8OMLOS	
G M18x1,5 pds	L90K	G UNS1"	10 M18 V8OMLOS	
G M22x1,5 pds	L90K	G UN 13/16"	8 M22 V8OMLOS	



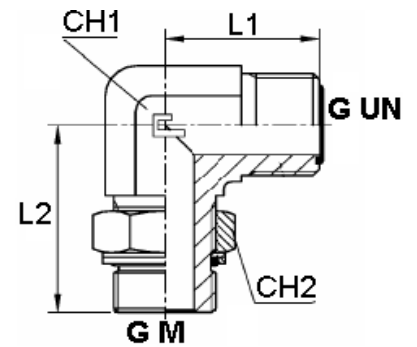
G M22x1,5 pds	L90K	G UNS1"
G M22x1,5 pds	L90K	G UN 1. 3/16"
G M27x2 pds	L90K	G UNS1"
G M27x2 pds	L90K	G UN 1. 3/16"
G M27x2 pds	L90K	G UN 1. 7/16"
G M33x2 pds	L90K	G UN 1. 3/16"
G M33x2 pds	L90K	G UN 1. 7/16"
G M42x2 pds	L90K	G UN 1. 7/16"
G M42x2 pds	L90K	G UN 1.11/16"
G M48x2 pds	L90K	G UN 1.11/16"
G M48x2 pds	L90K	G UN 2"

10 M22 V8OMLOS
12 M22 V8OMLOS
10 M27 V8OMLOS
12 M27 V8OMLOS
16 M27 V8OMLOS
12 M33 V8OMLOS
16 M33 V8OMLOS
16 M42 V8OMLOS
20 M42 V8OMLOS
20 M48 V8OMLOS
24 M48 V8OMLOS



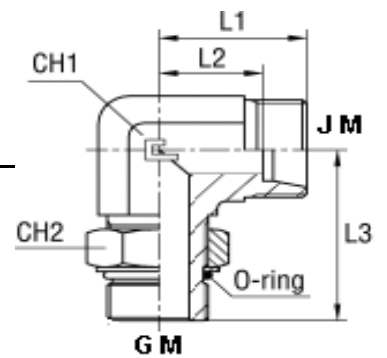
G M pds	L90K	G UN/UNF/UNS
G M10x1 pds	L90K	G UNF 9/16"
G M12x1,5 pds	L90K	G UNF 9/16"
G M14x1,5 pds	L90K	G UN 11/16"
G M16x1,5 pds	L90K	G UN 11/16"
G M16x1,5 pds	L90K	G UN 13/16"
G M18x1,5 pds	L90K	G UN 13/16"
G M18x1,5 pds	L90K	G UNS1"
G M22x1,5 pds	L90K	G UN 13/16"
G M22x1,5 pds	L90K	G UNS1"
G M22x1,5 pds	L90K	G UN 1. 3/16"
G M27x2 pds	L90K	G UNS1"
G M27x2 pds	L90K	G UN 1. 3/16"
G M27x2 pds	L90K	G UN 1. 7/16"
G M33x2 pds	L90K	G UN 1. 3/16"
G M33x2 pds	L90K	G UN 1. 7/16"
G M42x2 pds	L90K	G UN 1. 7/16"
G M42x2 pds	L90K	G UN 1.11/16"
G M48x2 pds	L90K	G UN 1.11/16"
G M48x2 pds	L90K	G UN 2"

C8OMLO	podesivi nipel
4 M10 C8OMLOS	
4 M12 C8OMLOS	
6 M14 C8OMLOS	
6 M16 C8OMLOS	
8 M16 C8OMLOS	
8 M18 C8OMLOS	
10 M18 C8OMLOS	
8 M22 C8OMLOS	
10 M22 C8OMLOS	
12 M22 C8OMLOS	
10 M27 C8OMLOS	
12 M27 C8OMLOS	
16 M27 C8OMLOS	
12 M33 C8OMLOS	
16 M33 C8OMLOS	
16 M42 C8OMLOS	
20 M42 C8OMLOS	
20 M48 C8OMLOS	
24 M48 C8OMLOS	



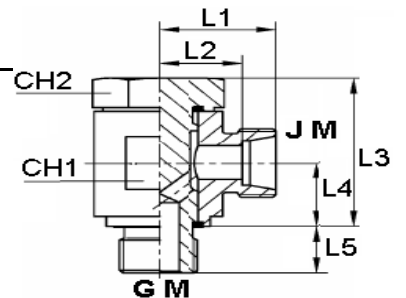
G M pds	L90K	J M
G M 8x1 pds	L90K	J M 8x1
G M10x1 pds	L90K	J M10x1
G M10x1 pds	L90K	J M12x1

X WEE - LLM	podesivi nipel
X WEE 4 - LLM	
X WEE 6 - LLM	
X WEE 8 - LLM	



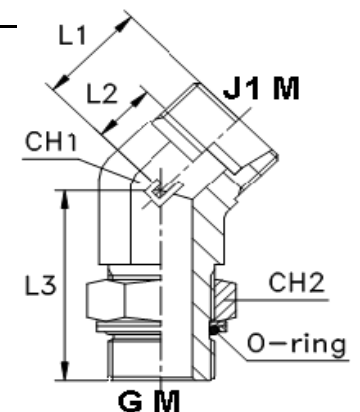
G M pds	L90K	J M
G M 8x1 pds	L90K	J M 8x1
G M10x1 pds	L90K	J M10x1
G M10x1 pds	L90K	J M12x1

X WH - LLM	podesivi nipel
X WH 4 - LLM	
X WH 6 - LLM	
X WH 8 - LLM	

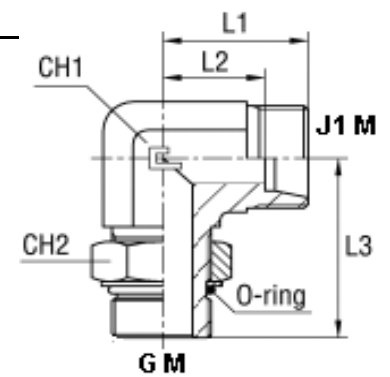


G M pds	L45K	J1 M
G M10x1 pds	L45K	J1 M12x1,5
G M12x1,5 pds	L45K	J1 M14x1,5
G M14x1,5 pds	L45K	J1 M16x1,5
G M16x1,5 pds	L45K	J1 M18x1,5
G M18x1,5 pds	L45K	J1 M22x1,5
G M22x1,5 pds	L45K	J1 M26x1,5
G M27x2 pds	L45K	J1 M30x2
G M33x2 pds	L45K	J1 M36x2
G M42x2 pds	L45K	J1 M45x2
G M48x2 pds	L45K	J1 M52x2

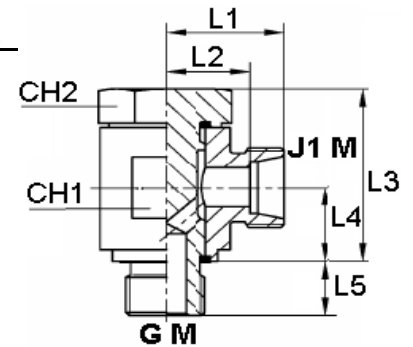
X VEE - LM	podesivi nipel
X VEE 6 - LM	
X VEE 8 - LM	
X VEE 10 - LM	
X VEE 12 - LM	
X VEE 15 - LM	
X VEE 18 - LM	
X VEE 22 - LM	
X VEE 28 - LM	
X VEE 35 - LM	
X VEE 42 - LM	



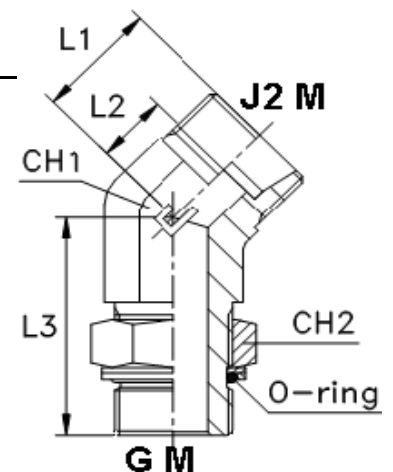
<b>G M pds L90K J1 M</b>	<b>X WEE - LM</b>	<b>podesivi nipel</b>
G M10x1 pds L90K J1 M12x1,5	X WEE 6 - LM	
G M12x1,5 pds L90K J1 M14x1,5	X WEE 8 - LM	
G M14x1,5 pds L90K J1 M16x1,5	X WEE 10 - LM	
G M16x1,5 pds L90K J1 M18x1,5	X WEE 12 - LM	
G M18x1,5 pds L90K J1 M22x1,5	X WEE 15 - LM	
G M22x1,5 pds L90K J1 M26x1,5	X WEE 18 - LM	
G M27x2 pds L90K J1 M30x2	X WEE 22 - LM	
G M33x2 pds L90K J1 M36x2	X WEE 28 - LM	
G M42x2 pds L90K J1 M45x2	X WEE 35 - LM	
G M48x2 pds L90K J1 M52x2	X WEE 42 - LM	



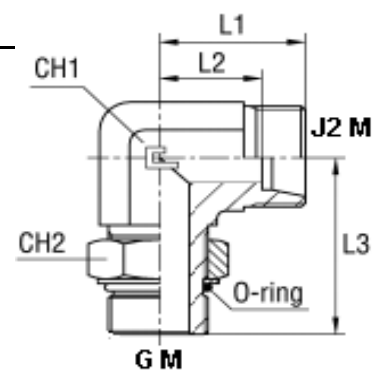
<b>G M pds L90K J1 M</b>	<b>X WH - LM</b>	<b>podesivi nipel</b>
G M10x1 pds L90K J1 M12x1,5	X WH 6 - LM	
G M12x1,5 pds L90K J1 M14x1,5	X WH 8 - LM	
G M14x1,5 pds L90K J1 M16x1,5	X WH 10 - LM	
G M16x1,5 pds L90K J1 M18x1,5	X WH 12 - LM	
G M18x1,5 pds L90K J1 M22x1,5	X WH 15 - LM	
G M22x1,5 pds L90K J1 M26x1,5	X WH 18 - LM	
G M26x1,5 pds L90K J1 M30x2	X WH 22 - LM	
G M33x2 pds L90K J1 M36x2	X WH 28 - LM	
G M42x2 pds L90K J1 M45x2	X WH 35 - LM	
G M48x2 pds L90K J1 M52x2	X WH 42 - LM	



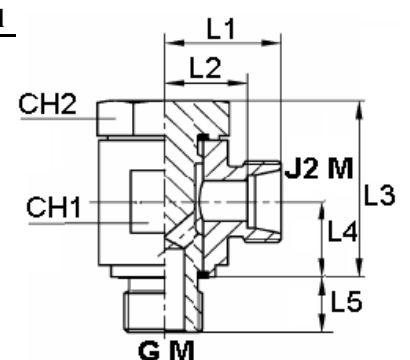
<b>G M pds L45K J2 M</b>	<b>X VEE - SM</b>	<b>podesivi nipel</b>
G M12x1,5 pds L45K J2 M14x1,5	X VEE 6 - SM	
G M14x1,5 pds L45K J2 M16x1,5	X VEE 8 - SM	
G M16x1,5 pds L45K J2 M18x1,5	X VEE 10 - SM	
G M18x1,5 pds L45K J2 M20x1,5	X VEE 12 - SM	
G M20x1,5 pds L45K J2 M22x1,5	X VEE 14 - SM	
G M22x1,5 pds L45K J2 M24x1,5	X VEE 16 - SM	
G M27x2 pds L45K J2 M30x2	X VEE 20 - SM	
G M33x2 pds L45K J2 M36x2	X VEE 25 - SM	
G M42x2 pds L45K J2 M42x2	X VEE 30 - SM	
G M48x2 pds L45K J2 M52x2	X VEE 38 - SM	



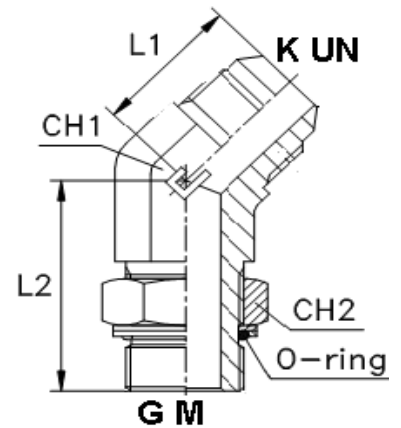
<b>G M pds L90K J2 M</b>	<b>X WEE - SM</b>	<b>podesivi nipel</b>
G M12x1,5 pds L90K J2 M14x1,5	X WEE 6 - SM	
G M14x1,5 pds L90K J2 M16x1,5	X WEE 8 - SM	
G M16x1,5 pds L90K J2 M18x1,5	X WEE 10 - SM	
G M18x1,5 pds L90K J2 M20x1,5	X WEE 12 - SM	
G M20x1,5 pds L90K J2 M22x1,5	X WEE 14 - SM	
G M22x1,5 pds L90K J2 M24x1,5	X WEE 16 - SM	
G M27x2 pds L90K J2 M30x2	X WEE 20 - SM	
G M33x2 pds L90K J2 M36x2	X WEE 25 - SM	
G M42x2 pds L90K J2 M42x2	X WEE 30 - SM	
G M48x2 pds L90K J2 M52x2	X WEE 38 - SM	



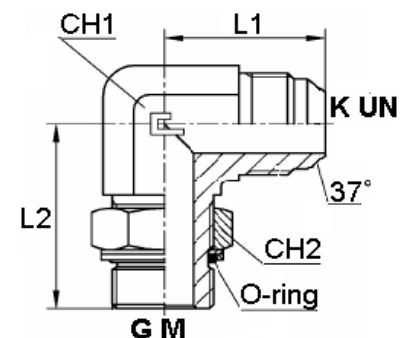
<b>G M pds L90K J2 M</b>	<b>X WH - SM</b>	<b>podesivi nipel</b>
G M12x1,5 pds L90K J2 M14x1,5	X WH 6 - SM	
G M14x1,5 pds L90K J2 M16x1,5	X WH 8 - SM	
G M16x1,5 pds L90K J2 M18x1,5	X WH 10 - SM	
G M18x1,5 pds L90K J2 M20x1,5	X WH 12 - SM	
G M20x1,5 pds L90K J2 M22x1,5	X WH 14 - SM	
G M22x1,5 pds L90K J2 M24x1,5	X WH 16 - SM	
G M27x2 pds L90K J2 M30x2	X WH 20 - SM	
G M33x2 pds L90K J2 M36x2	X WH 25 - SM	
G M42x2 pds L90K J2 M42x2	X WH 30 - SM	
G M48x2 pds L90K J2 M52x2	X WH 38 - SM	



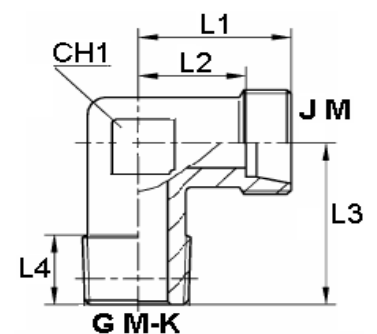
<b>G M pds</b>	<b>L45K</b>	<b>K UN/UNF</b>	<b>V8OMX</b>	<b>podesivi nipel</b>
G M10x1 pds	L90K	K UNF 7/16"	4 M10 V8OMXS	
G M10x1 pds	L90K	K UNF 1/ 2"		
G M12x1,5 pds	L90K	K UNF 7/16"	4 M12 V8OMXS	
G M12x1,5 pds	L90K	K UNF 1/ 2"	5 M12 V8OMXS	
G M14x1,5 pds	L90K	K UNF 1/ 2"		
G M14x1,5 pds	L90K	K UNF 9/16"	6 M14 V8OMXS	
G M16x1,5 pds	L90K	K UNF 9/16"		
G M16x1,5 pds	L90K	K UNF 3/ 4"	8 M16 V8OMXS	
G M18x1,5 pds	L90K	K UNF 3/ 4"	8 M18 V8OMXS	
G M18x1,5 pds	L90K	K UNF 7/ 8"		
G M20x1,5 pds	L90K	K UNF 7/ 8"		
G M22x1,5 pds	L90K	K UNF 7/ 8"	10 M22 V8OMXS	
G M22x1,5 pds	L90K	K UN1.1/16"		
G M27x2 pds	L90K	K UN1.1/16"	12 M27 V8OMXS	
G M27x2 pds	L90K	K UN1.5/16"		
G M33x2 pds	L90K	K UN1.5/16"	16 M33 V8OMXS	
G M42x2 pds	L90K	K UN1.5/ 8"		
G M48x2 pds	L90K	K UN1.7/ 8"		



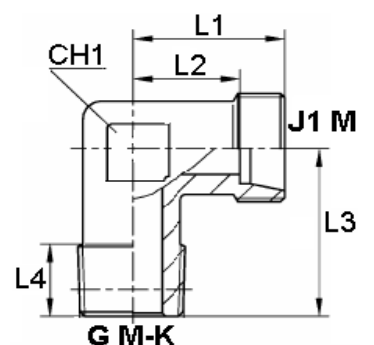
<b>G M pds</b>	<b>L90K</b>	<b>K UN/UNF</b>	<b>C87OMX</b>	<b>podesivi nipel</b>
G M10x1 pds	L90K	K UNF 7/16"	4 M10 C87OMXS	
G M10x1 pds	L90K	K UNF 1/ 2"	5 M10 C87OMXS	
G M12x1,5 pds	L90K	K UNF 7/16"	4 M12 C87OMXS	
G M12x1,5 pds	L90K	K UNF 1/ 2"	5 M12 C87OMXS	
G M14x1,5 pds	L90K	K UNF 1/ 2"	5 M14 C87OMXS	
G M14x1,5 pds	L90K	K UNF 9/16"	6 M14 C87OMXS	
G M16x1,5 pds	L90K	K UNF 9/16"	6 M16 C87OMXS	
G M16x1,5 pds	L90K	K UNF 3/ 4"	8 M16 C87OMXS	
G M18x1,5 pds	L90K	K UNF 3/ 4"	8 M18 C87OMXS	
G M18x1,5 pds	L90K	K UNF 7/ 8"	10 M18 C87OMXS	
G M20x1,5 pds	L90K	K UNF 7/ 8"	10 M20 C87OMXS	
G M22x1,5 pds	L90K	K UNF 7/ 8"	10 M22 C87OMXS	
G M22x1,5 pds	L90K	K UN1.1/16"	12 M22 C87OMXS	
G M27x2 pds	L90K	K UN1.1/16"	12 M27 C87OMXS	
G M27x2 pds	L90K	K UN1.5/16"	16 M27 C87OMXS	
G M33x2 pds	L90K	K UN1.5/16"	16 M33 C87OMXS	
G M42x2 pds	L90K	K UN1.5/ 8"	20 M42 C87OMXS	
G M48x2 pds	L90K	K UN1.7/ 8"	24 M48 C87OMXS	



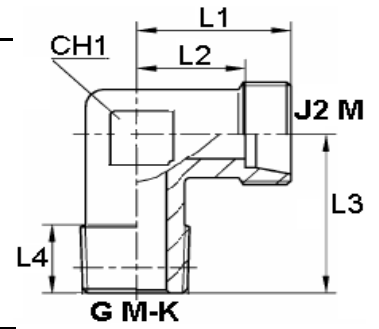
<b>G M-K</b>	<b>L90K</b>	<b>J M</b>	<b>X WE - LLM</b>	<b>-</b>
G M 8x1K	L90K	J M 8x1	X WE 4 - LLM	
G M10x1K	L90K	J M10x1	X WE 6 - LLM	
G M10x1K	L90K	J M12x1	X WE 8 - LLM	



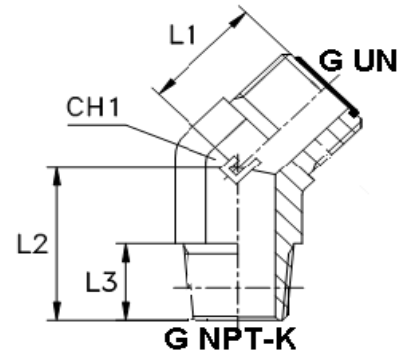
<b>G M-K</b>	<b>L90K</b>	<b>J1 M</b>	<b>X WE - LM</b>	<b>-</b>
G M10x1K	L90K	J1 M12x1,5	X WE 6 - LM	
G M12x1,5K	L90K	J1 M14x1,5	X WE 8 - LM	
G M14x1,5K	L90K	J1 M16x1,5	X WE 10 - LM	
G M16x1,5K	L90K	J1 M18x1,5	X WE 12 - LM	
G M18x1,5K	L90K	J1 M22x1,5	X WE 15 - LM	
G M22x1,5K	L90K	J1 M26x1,5	X WE 18 - LM	



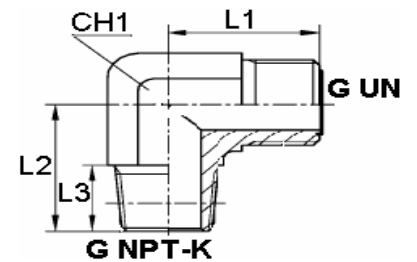
<b>G M-K L90K J2 M</b>	<b>X WE - SM</b>	-
G M12x1,5K L90K J2 M14x1,5	X WE 6 - SM	
G M14x1,5K L90K J2 M16x1,5	X WE 8 - SM	
G M16x1,5K L90K J2 M18x1,5	X WE 10 - SM	
G M18x1,5K L90K J2 M20x1,5	X WE 12 - SM	
G M20x1,5K L90K J2 M22x1,5	X WE 14 - SM	
G M22x1,5K L90K J2 M24x1,5	X WE 16 - SM	



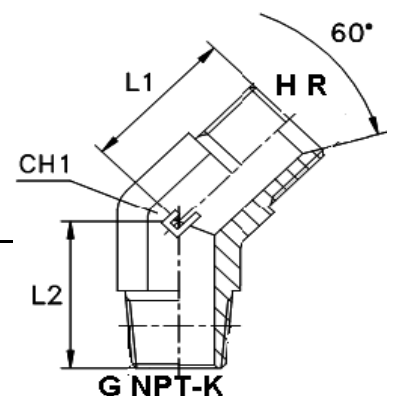
<b>G NPT-K L45K G UN/UNF/UNS</b>	-	-
G NPT 1/8"K L45K G UNF 9/16"		
G NPT 1/4"K L45K G UNF 9/16"		
G NPT 1/4"K L45K G UN 11/16"		
G NPT 1/4"K L45K G UN 13/16"		
G NPT 3/8"K L45K G UNF 9/16"		
G NPT 3/8"K L45K G UN 11/16"		
G NPT 3/8"K L45K G UN 13/16"		
G NPT 3/8"K L45K G UNS1"		
G NPT 1/2"K L45K G UN 11/16"		
G NPT 1/2"K L45K G UN 13/16"		
G NPT 1/2"K L45K G UNS1"		
G NPT 1/2"K L45K G UN 1. 3/16"		
G NPT 3/4"K L45K G UN 13/16"		
G NPT 3/4"K L45K G UNS1"		
G NPT 3/4"K L45K G UN 1. 3/16"		
G NPT 3/4"K L45K G UN 1. 7/16"		
G NPT1"K L45K G UN 1. 3/16"		
G NPT1"K L45K G UN 1. 7/16"		
G NPT1"K L45K G UN 1.11/16"		
G NPT1.1/4"K L45K G UN 1.11/16"		
G NPT1.1/4"K L45K G UN 2"		
G NPT1.1/2"K L45K G UN 2"		



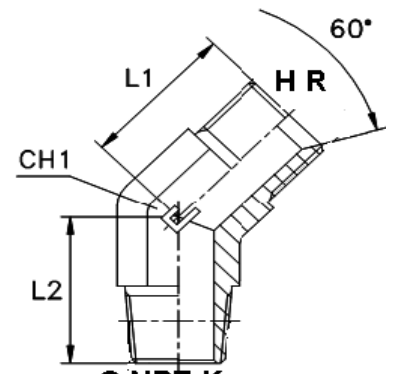
<b>G NPT-K L90K G UN/UNF/UNS</b>	<b>CLO</b>	-
G NPT 1/8"K L90K G UNF 9/16"	4 CLOS	
G NPT 1/4"K L90K G UNF 9/16"	4- 4 CLOS	
G NPT 1/4"K L90K G UN 11/16"	6 CLOS	
G NPT 1/4"K L90K G UN 13/16"	8- 4 CLOS	
G NPT 3/8"K L90K G UNF 9/16"	4- 6 CLOS	
G NPT 3/8"K L90K G UN 11/16"	6- 6 CLOS	
G NPT 3/8"K L90K G UN 13/16"	8 CLOS	
G NPT 3/8"K L90K G UNS1"	10- 6 CLOS	
G NPT 1/2"K L90K G UN 11/16"	6- 8 CLOS	
G NPT 1/2"K L90K G UN 13/16"	8- 8 CLOS	
G NPT 1/2"K L90K G UNS1"	10 CLOS	
G NPT 1/2"K L90K G UN 1. 3/16"	12- 8 CLOS	
G NPT 3/4"K L90K G UN 13/16"	8-12 CLOS	
G NPT 3/4"K L90K G UNS1"	10-12 CLOS	
G NPT 3/4"K L90K G UN 1. 3/16"	12 CLOS	
G NPT 3/4"K L90K G UN 1. 7/16"	16-12 CLOS	
G NPT1"K L90K G UN 1. 3/16"	12-16 CLOS	
G NPT1"K L90K G UN 1. 7/16"	16 CLOS	
G NPT1"K L90K G UN 1.11/16"	20-12 CLOS	
G NPT1.1/4"K L90K G UN 1.11/16"	20 CLOS	
G NPT1.1/4"K L90K G UN 2"	24-20 CLOS	
G NPT1.1/2"K L90K G UN 2"	24 CLOS	



<b>G NPT-K L45K HR</b>	-	-
G NPT 1/8"K L45K HR 1/8"		
G NPT 1/4"K L45K HR 1/4"		
G NPT 3/8"K L45K HR 3/8"		
G NPT 1/2"K L45K HR 1/2"		
G NPT 1/2"K L45K HR 5/8"		

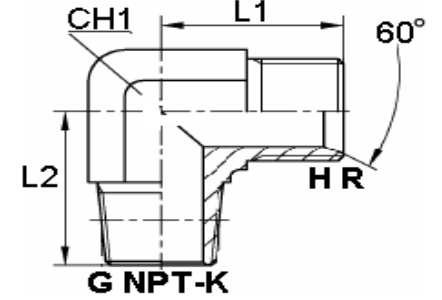


G NPT 3/4"K L45K HR 3/4"  
 G NPT1"K L45K HR1"  
 G NPT1.1/4"K L45K HR1.1/4"  
 G NPT1.1/2"K L45K HR1.1/2"  
 G NPT2"K L45K HR2"



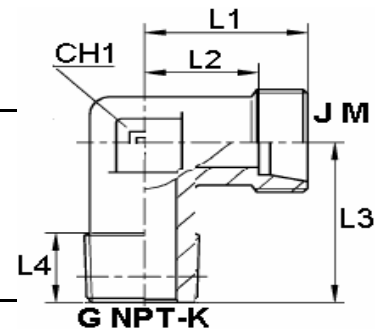
G NPT-K

G NPT-K	L90K	HR	-	-
G NPT 1/8"K	L90K	HR 1/8"		
G NPT 1/4"K	L90K	HR 1/4"		
G NPT 3/8"K	L90K	HR 3/8"		
G NPT 1/2"K	L90K	HR 1/2"		
G NPT 1/2"K	L90K	HR 5/8"		
G NPT 3/4"K	L90K	HR 3/4"		
G NPT1"K	L90K	HR1"		
G NPT1.1/4"K	L90K	HR1.1/4"		
G NPT1.1/2"K	L90K	HR1.1/2"		
G NPT2"K	L90K	HR2"		



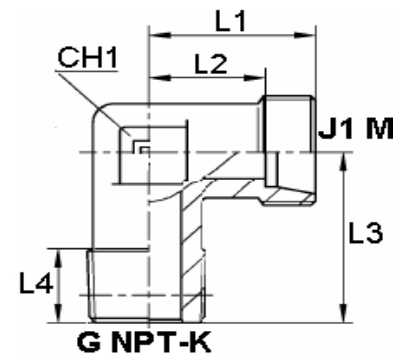
G NPT-K

G NPT-K	L90K	J M	X WE - LL / NPT	-
G NPT1/8"K	L90K	J M 8x1	X WE 4 - LL / 1/8 NPT	
G NPT1/8"K	L90K	J M10x1	X WE 6 - LL / 1/8 NPT	
G NPT1/8"K	L90K	J M12x1	X WE 8 - LL / 1/8 NPT	



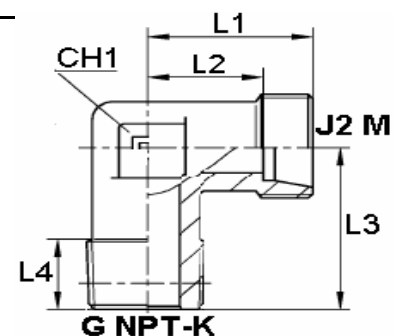
G NPT-K

G NPT-K	L90K	J1 M	X WE - L / NPT	-
G NPT 1/8"K	L90K	J1 M12x1,5	X WE 6 - L / 1/8 NPT	
G NPT 1/8"K	L90K	J1 M14x1,5	X WE 8 - L / 1/8 NPT	
G NPT 1/8"K	L90K	J1 M16x1,5	X WE 10 - L / 1/8 NPT	
G NPT 1/4"K	L90K	J1 M12x1,5	X WE 6 - L / 1/4 NPT	
G NPT 1/4"K	L90K	J1 M14x1,5	X WE 8 - L / 1/4 NPT	
G NPT 1/4"K	L90K	J1 M16x1,5	X WE 10 - L / 1/4 NPT	
G NPT 1/4"K	L90K	J1 M18x1,5	X WE 12 - L / 1/4 NPT	
G NPT 3/8"K	L90K	J1 M14x1,5	X WE 8 - L / 3/8 NPT	
G NPT 3/8"K	L90K	J1 M16x1,5	X WE 10 - L / 3/8 NPT	
G NPT 3/8"K	L90K	J1 M18x1,5	X WE 12 - L / 3/8 NPT	
G NPT 3/8"K	L90K	J1 M22x1,5	X WE 15 - L / 3/8 NPT	
G NPT 1/2"K	L90K	J1 M14x1,5	X WE 8 - L / 1/2 NPT	
G NPT 1/2"K	L90K	J1 M16x1,5	X WE 10 - L / 1/2 NPT	
G NPT 1/2"K	L90K	J1 M18x1,5	X WE 12 - L / 1/2 NPT	
G NPT 1/2"K	L90K	J1 M22x1,5	X WE 15 - L / 1/2 NPT	
G NPT 1/2"K	L90K	J1 M26x1,5	X WE 18 - L / 1/2 NPT	
G NPT 3/4"K	L90K	J1 M26x1,5	X WE 18 - L / 3/4 NPT	
G NPT 3/4"K	L90K	J1 M30x2	X WE 22 - L / 3/4 NPT	
G NPT1"K	L90K	J1 M36x2	X WE 28 - L / 1 NPT	
G NPT1.1/4"K	L90K	J1 M45x2	X WE 35 - L / 1.1/4 NPT	
G NPT1.1/2"K	L90K	J1 M52x2	X WE 42 - L / 1.1/2 NPT	



G NPT-K

G NPT-K	L90K	J2 M	X WE - S / NPT	-
G NPT 1/4"K	L90K	J2 M14x1,5	X WE 6 - S / 1/4 NPT	
G NPT 1/4"K	L90K	J2 M16x1,5	X WE 8 - S / 1/4 NPT	
G NPT 3/8"K	L90K	J2 M18x1,5	X WE 10 - S / 3/8 NPT	
G NPT 3/8"K	L90K	J2 M20x1,5	X WE 12 - S / 3/8 NPT	
G NPT 3/8"K	L90K	J2 M22x1,5	X WE 14 - S / 3/8 NPT	
G NPT 3/8"K	L90K	J2 M24x1,5	X WE 16 - S / 3/8 NPT	
G NPT 1/2"K	L90K	J2 M20x1,5	X WE 12 - S / 1/2 NPT	
G NPT 1/2"K	L90K	J2 M22x1,5	X WE 14 - S / 1/2 NPT	
G NPT 1/2"K	L90K	J2 M24x1,5	X WE 16 - S / 1/2 NPT	
G NPT 1/2"K	L90K	J2 M30x2	X WE 20 - S / 1/2 NPT	
G NPT 3/4"K	L90K	J2 M30x2	X WE 20 - S / 3/4 NPT	

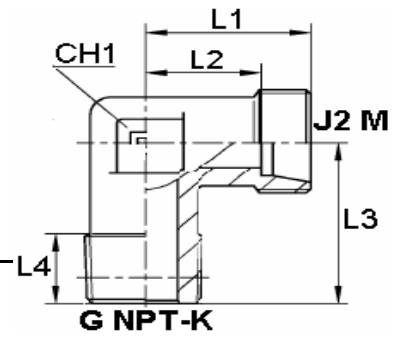


G NPT-K



G NPT 3/4"K L90K J2 M36x2  
 G NPT1"K L90K J2 M36x2  
 G NPT1"K L90K J2 M42x2  
 G NPT1.1/4"K L90K J2 M42x2  
 G NPT1.1/2"K L90K J2 M52x2

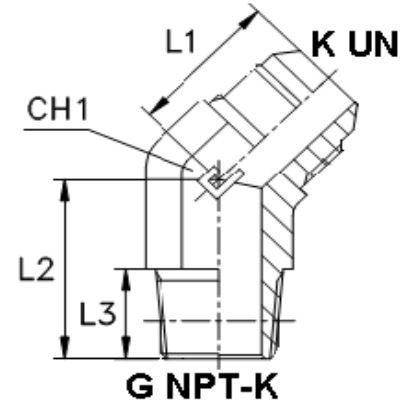
X WE 25 - S / 3/4 NPT  
 X WE 25 - S / 1 NPT  
 X WE 30 - S / 1 NPT  
 X WE 30 - S / 1.1/4 NPT  
 X WE 38 - S / 1.1/2 NPT



**G NPT-K L45K K UN/UNF/UNS**

**VMTX**

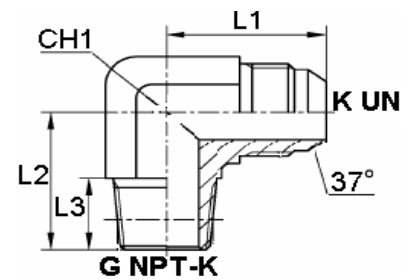
G NPT 1/8"K L45K K UNF 7/16"	4	VTXS
G NPT 1/8"K L45K K UNF 1/ 2"	5	VTXS
G NPT 1/8"K L45K K UNF 9/16"	6-	2 VTXS
G NPT 1/4"K L45K K UNF 7/16"	4-	4 VTXS
G NPT 1/4"K L45K K UNF 1/ 2"	5-	4 VTXS
G NPT 1/4"K L45K K UNF 9/16"	6	VTXS
G NPT 1/4"K L45K K UNF 3/ 4"	8-	4 VTXS
G NPT 3/8"K L45K K UNF 9/16"	6-	6 VTXS
G NPT 3/8"K L45K K UNF 3/ 4"	8	VTXS
G NPT 3/8"K L45K K UNF 7/ 8"	10-	6 VTXS
G NPT 1/2"K L45K K UNF 9/16"	6-	8 VTXS
G NPT 1/2"K L45K K UNF 3/ 4"	8-	8 VTXS
G NPT 1/2"K L45K K UNF 7/ 8"	10	VTXS
G NPT 1/2"K L45K K UN1.1/16"	12-	8 VTXS
G NPT 3/4"K L45K K UNF 3/ 4"	8-	12 VTXS
G NPT 3/4"K L45K K UNF 7/ 8"	10-	12 VTXS
G NPT 3/4"K L45K K UN1.1/16"	12	VTXS
G NPT 3/4"K L45K K UN1.5/16"	16-	12 VTXS
G NPT1"K L45K K UN1.1/16"	12-	16 VTXS
G NPT1"K L45K K UN1.5/16"	16	VTXS
G NPT1"K L45K K UN1.5/ 8"	20-	16 VTXS
G NPT1.1/4"K L45K K UN1.5/ 8"	20	VTXS
G NPT1.1/2"K L45K K UN1.7/ 8"	24	VTXS



**G NPT-K L90K K UN/UNF/UNS**

**CMTXS**

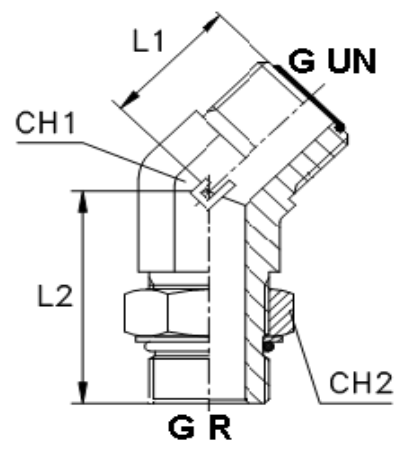
G NPT 1/8"K L90K K UNF 7/16"	4	CMTXS
G NPT 1/8"K L90K K UNF 1/ 2"	5	CMTXS
G NPT 1/8"K L90K K UNF 9/16"	6-	2 CMTXS
G NPT 1/4"K L90K K UNF 7/16"	4-	4 CMTXS
G NPT 1/4"K L90K K UNF 1/ 2"	5-	4 CMTXS
G NPT 1/4"K L90K K UNF 9/16"	6	CMTXS
G NPT 1/4"K L90K K UNF 3/ 4"	8-	4 CMTXS
G NPT 3/8"K L90K K UNF 7/16"	4-	6 CMTXS
G NPT 3/8"K L90K K UNF 9/16"	6-	6 CMTXS
G NPT 3/8"K L90K K UNF 3/ 4"	8	CMTXS
G NPT 3/8"K L90K K UNF 7/ 8"	10-	6 CMTXS
G NPT 1/2"K L90K K UNF 7/16"	4-	8 CMTXS
G NPT 1/2"K L90K K UNF 9/16"	6-	8 CMTXS
G NPT 1/2"K L90K K UNF 3/ 4"	8-	8 CMTXS
G NPT 1/2"K L90K K UNF 7/ 8"	10	CMTXS
G NPT 1/2"K L90K K UN1.1/16"	12-	8 CMTXS
G NPT 3/4"K L90K K UNF 3/ 4"	8-	12 CMTXS
G NPT 3/4"K L90K K UNF 7/ 8"	10-	12 CMTXS
G NPT 3/4"K L90K K UN1.1/16"	12	CMTXS
G NPT 3/4"K L90K K UN1.5/16"	16-	12 CMTXS
G NPT1"K L90K K UN1.1/16"	12-	16 CMTXS
G NPT1"K L90K K UN1.5/16"	16	CMTXS
G NPT1"K L90K K UN1.5/ 8"	20-	16 CMTXS
G NPT1.1/4"K L90K K UN1.5/16"	16-	20 CMTXS
G NPT1.1/4"K L90K K UN1.5/ 8"	20	CMTXS
G NPT1.1/4"K L90K K UN1.7/ 8"	24-	20 CMTXS
G NPT1.1/2"K L90K K UN1.5/ 8"	20-	20 CMTXS
G NPT1.1/2"K L90K K UN1.7/ 8"	24	CMTXS



G R pds	L45K	G UN/UNFUNS
G R 1/8" pds	L45K	G UNF 9/16"
G R 1/4" pds	L45K	G UNF 9/16"
G R 1/4" pds	L45K	G UN 11/16"
G R 1/4" pds	L45K	G UN 13/16"
G R 1/4" pds	L45K	G UNS1"
G R 1/4" pds	L45K	G UN 1. 3/16"
G R 1/4" pds	L45K	G UN 1. 7/16"
G R 3/8" pds	L45K	G UNF 9/16"
G R 3/8" pds	L45K	G UN 11/16"
G R 3/8" pds	L45K	G UN 13/16"
G R 3/8" pds	L45K	G UNS1"
G R 1/2" pds	L45K	G UN 11/16"
G R 1/2" pds	L45K	G UN 13/16"
G R 1/2" pds	L45K	G UNS1"
G R 1/2" pds	L45K	G UN 1. 3/16"
G R 3/4" pds	L45K	G UN 13/16"
G R 3/4" pds	L45K	G UNS1"
G R 3/4" pds	L45K	G UN 1. 3/16"
G R 3/4" pds	L45K	G UN 1. 7/16"
G R1" pds	L45K	G UNS1"
G R1" pds	L45K	G UN 1. 3/16"
G R1" pds	L45K	G UN 1. 7/16"
G R1" pds	L45K	G UN 1.11/16"
G R1.1/4" pds	L45K	G UN 1. 7/16"
G R1.1/4" pds	L45K	G UN 1.11/16"
G R1.1/2" pds	L45K	G UN 1.11/16"
G R1.1/2" pds	L45K	G UN 2"

V4OMLO
4 V4OMLOS
4- 4 V4OMLOS
6 V4OMLOS
8- 4 V4OMLOS
10- 4 V4OMLOS
12- 4 V4OMLOS
16- 4 V4OMLOS
4- 6 V4OMLOS
6- 6 V4OMLOS
8 V4OMLOS
10- 6 V4OMLOS
6- 8 V4OMLOS
8- 8 V4OMLOS
10 V4OMLOS
12- 8 V4OMLOS
8-12 V4OMLOS
10-12 V4OMLOS
12 V4OMLOS
16-12 V4OMLOS
10-16 V4OMLOS
12-16 V4OMLOS
16 V4OMLOS
20-16 V4OMLOS
16-20 V4OMLOS
20 V4OMLOS
20-24 V4OMLOS
24 V4OMLOS

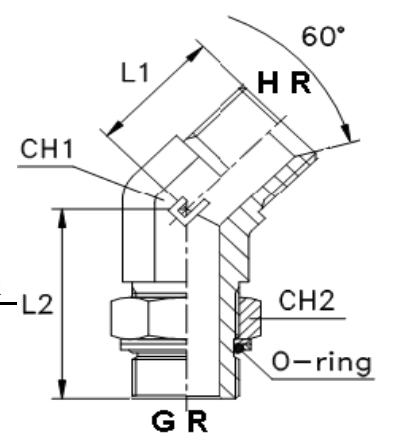
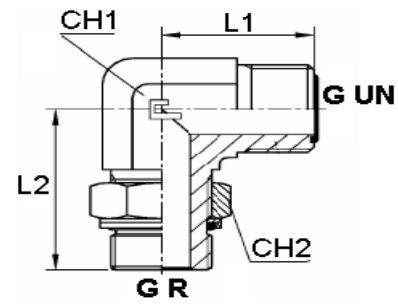
podesivi nipel



G R pds	L90K	G UN/UNFUNS
G R 1/8" pds	L90K	G UNF 9/16"
G R 1/4" pds	L90K	G UNF 9/16"
G R 1/4" pds	L90K	G UN 11/16"
G R 1/4" pds	L90K	G UN 13/16"
G R 1/4" pds	L90K	G UNS1"
G R 1/4" pds	L90K	G UN 1. 3/16"
G R 1/4" pds	L90K	G UN 1. 7/16"
G R 3/8" pds	L90K	G UNF 9/16"
G R 3/8" pds	L90K	G UN 11/16"
G R 3/8" pds	L90K	G UN 13/16"
G R 3/8" pds	L90K	G UNS1"
G R 1/2" pds	L90K	G UN 11/16"
G R 1/2" pds	L90K	G UN 13/16"
G R 1/2" pds	L90K	G UNS1"
G R 1/2" pds	L90K	G UN 1. 3/16"
G R 3/4" pds	L90K	G UN 13/16"
G R 3/4" pds	L90K	G UNS1"
G R 3/4" pds	L90K	G UN 1. 3/16"
G R 3/4" pds	L90K	G UN 1. 7/16"
G R1" pds	L90K	G UNS1"
G R1" pds	L90K	G UN 1. 3/16"
G R1" pds	L90K	G UN 1. 7/16"
G R1" pds	L90K	G UN 1.11/16"
G R1.1/4" pds	L90K	G UN 1. 7/16"
G R1.1/4" pds	L90K	G UN 1.11/16"
G R1.1/2" pds	L90K	G UN 1.11/16"
G R1.1/2" pds	L90K	G UN 2"

C4OMLO
4 C4OMLOS
4- 4 C4OMLOS
6 C4OMLOS
8- 4 C4OMLOS
10- 4 C4OMLOS
12- 4 C4OMLOS
16- 4 C4OMLOS
4- 6 C4OMLOS
6- 6 C4OMLOS
8 C4OMLOS
10- 6 C4OMLOS
6- 8 C4OMLOS
8- 8 C4OMLOS
10 C4OMLOS
12- 8 C4OMLOS
8-12 C4OMLOS
10-12 C4OMLOS
12 C4OMLOS
16-12 C4OMLOS
10-16 C4OMLOS
12-16 C4OMLOS
16 C4OMLOS
20-16 C4OMLOS
16-20 C4OMLOS
20 C4OMLOS
20-24 C4OMLOS
24 C4OMLOS

podesivi nipel

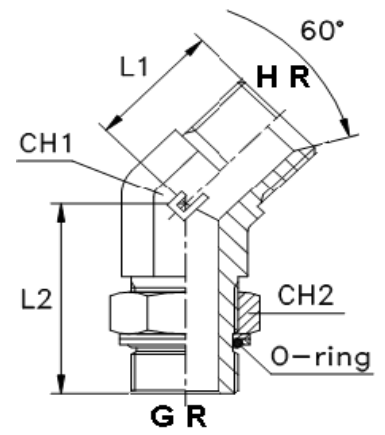


G R pds	L45K	HR
G R 1/8" pds	L45K	HR 1/8"
G R 1/8" pds	L45K	HR 1/4"
G R 1/4" pds	L45K	HR 1/4"
G R 1/4" pds	L45K	HR 3/8"

-

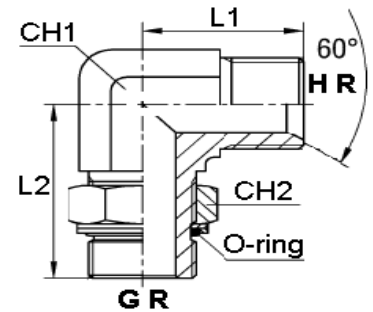
podesivi nipel

G R 3/8" pds L45K H R 3/8"  
 G R 3/8" pds L45K H R 1/2"  
 G R 1/2" pds L45K H R 3/8"  
 G R 1/2" pds L45K H R 1/2"  
 G R 1/2" pds L45K H R 3/4"  
 G R 3/4" pds L45K H R 3/4"  
 G R 3/4" pds L45K H R 1"  
 G R 1" pds L45K H R 1"  
 G R 1" pds L45K H R 1.1/4"  
 G R 1.1/4" pds L45K H R 1.1/4"  
 G R 1.1/4" pds L45K H R 1.1/2"  
 G R 1.1/2" pds L45K H R 1.1/2"  
 G R 1.1/2" pds L45K H R 2"  
 G R 2" pds L45K H R 2"



G R pds L90K H R	-	podesivi nipel
------------------	---	----------------

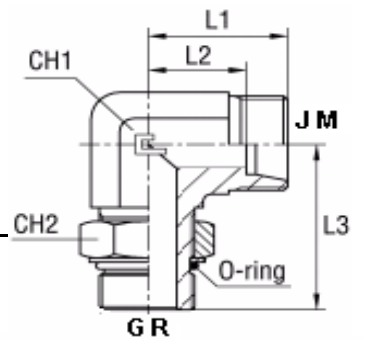
G R 1/8" pds L90K H R 1/8"  
 G R 1/8" pds L90K H R 1/4"  
 G R 1/4" pds L90K H R 1/4"  
 G R 1/4" pds L90K H R 3/8"  
 G R 3/8" pds L90K H R 3/8"  
 G R 3/8" pds L90K H R 1/2"  
 G R 1/2" pds L90K H R 3/8"  
 G R 1/2" pds L90K H R 1/2"  
 G R 1/2" pds L90K H R 3/4"  
 G R 3/4" pds L90K H R 3/4"  
 G R 3/4" pds L90K H R 1"  
 G R 1" pds L90K H R 1"  
 G R 1" pds L90K H R 1.1/4"  
 G R 1.1/4" pds L90K H R 1.1/4"  
 G R 1.1/4" pds L90K H R 1.1/2"  
 G R 1.1/2" pds L90K H R 1.1/2"  
 G R 1.1/2" pds L90K H R 2"  
 G R 2" pds L90K H R 2"



G R pds L90K J M	X WEE - LLR	podesivi nipel
------------------	-------------	----------------

G R 1/8" pds L90K J M 8x1  
 G R 1/8" pds L90K J M 10x1

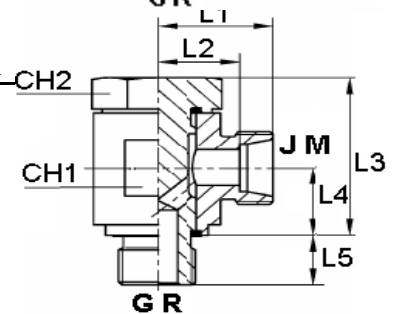
X WEE 4 - LLR  
 X WEE 6 - LLR



G R pds L90K J M	X WH - LLR	podesivi nipel
------------------	------------	----------------

G R 1/8" pds L90K J M 8x1  
 G R 1/8" pds L90K J M 10x1  
 G R 1/8" pds L90K J M 12x1

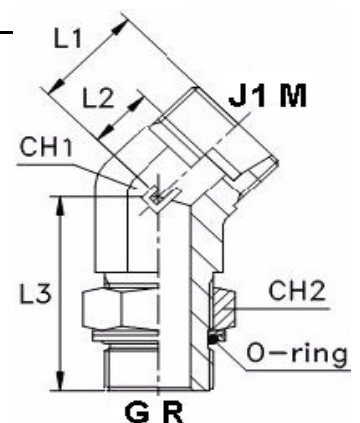
X WH 4 - LLR  
 X WH 6 - LLR  
 X WH 8 - LLR



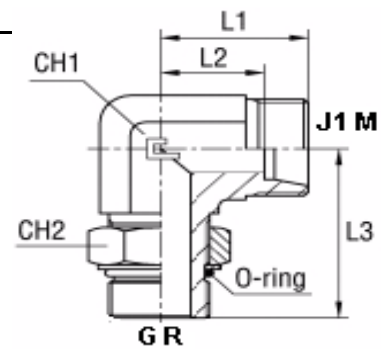
G R pds L45K J1 M	X VEE - LR	podesivi nipel
-------------------	------------	----------------

G R 1/8" pds L45K J1 M12x1,5  
 G R 1/4" pds L45K J1 M14x1,5  
 G R 1/4" pds L45K J1 M16x1,5  
 G R 3/8" pds L45K J1 M18x1,5  
 G R 1/2" pds L45K J1 M22x1,5  
 G R 1/2" pds L45K J1 M26x1,5  
 G R 3/4" pds L45K J1 M30x2  
 G R 1" pds L45K J1 M36x2  
 G R 1.1/4" pds L45K J1 M45x2  
 G R 1.1/2" pds L45K J1 M52x2

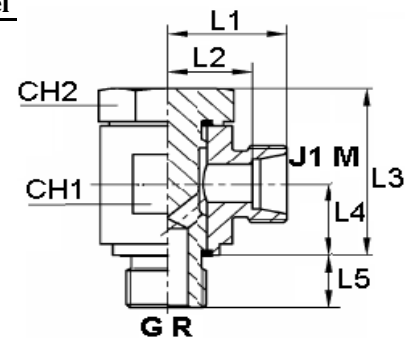
X VEE 6 - LR  
 X VEE 8 - LR  
 X VEE 10 - LR  
 X VEE 12 - LR  
 X VEE 15 - LR  
 X VEE 18 - LR  
 X VEE 22 - LR  
 X VEE 28 - LR  
 X VEE 35 - LR  
 X VEE 42 - LR



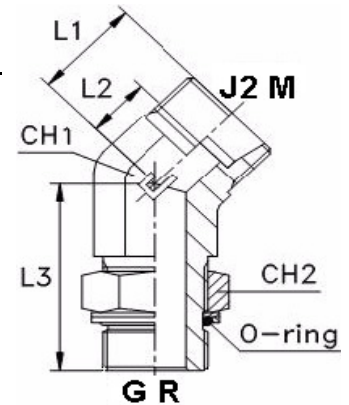
<b>G R pds L90K J1 M</b>	<b>X WEE - LR</b>	<b>podesivi nipel</b>
G R 1/8" pds L90K J1 M12x1,5	X WEE 6 - LR	
G R 1/4" pds L90K J1 M14x1,5	X WEE 8 - LR	
G R 1/4" pds L90K J1 M16x1,5	X WEE 10 - LR	
G R 3/8" pds L90K J1 M18x1,5	X WEE 12 - LR	
G R 1/2" pds L90K J1 M22x1,5	X WEE 15 - LR	
G R 1/2" pds L90K J1 M26x1,5	X WEE 18 - LR	
G R 3/4" pds L90K J1 M30x2	X WEE 22 - LR	
G R 1" pds L90K J1 M36x2	X WEE 28 - LR	
G R 1.1/4" pds L90K J1 M45x2	X WEE 35 - LR	
G R 1.1/2" pds L90K J1 M52x2	X WEE 42 - LR	



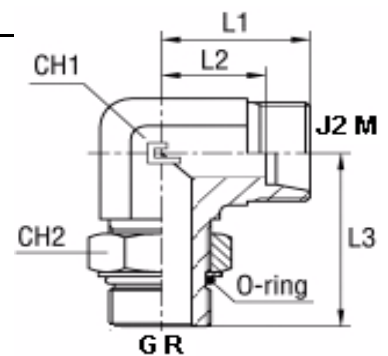
<b>G R pds L90K J1 M</b>	<b>X WH - LR</b>	<b>podesivi nipel</b>
G R 1/8" pds L90K J1 M12x1,5	X WH 6 - LR	
G R 1/4" pds L90K J1 M14x1,5	X WH 8 - LR	
G R 1/4" pds L90K J1 M16x1,5	X WH 10 - LR	
G R 3/8" pds L90K J1 M18x1,5	X WH 12 - LR	
G R 1/2" pds L90K J1 M22x1,5	X WH 15 - LR	
G R 1/2" pds L90K J1 M26x1,5	X WH 18 - LR	
G R 3/4" pds L90K J1 M30x2	X WH 22 - LR	
G R 1" pds L90K J1 M36x2	X WH 28 - LR	
G R 1.1/4" pds L90K J1 M45x2	X WH 35 - LR	
G R 1.1/2" pds L90K J1 M52x2	X WH 42 - LR	



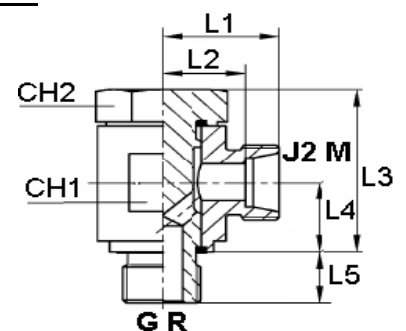
<b>G R pds L45K J2 M</b>	<b>X VEE - SR</b>	<b>podesivi nipel</b>
G R 1/4" pds L45K J2 M14x1,5	X VEE 6 - SR	
G R 1/4" pds L45K J2 M16x1,5	X VEE 8 - SR	
G R 3/8" pds L45K J2 M18x1,5	X VEE 10 - SR	
G R 3/8" pds L45K J2 M20x1,5	X VEE 12 - SR	
G R 1/2" pds L45K J2 M22x1,5	X VEE 14 - SR	
G R 1/2" pds L45K J2 M24x1,5	X VEE 16 - SR	
G R 3/4" pds L45K J2 M30x2	X VEE 20 - SR	
G R 1" pds L45K J2 M36x2	X VEE 25 - SR	
G R 1.1/4" pds L45K J2 M42x2	X VEE 30 - SR	
G R 1.1/2" pds L45K J2 M52x2	X VEE 38 - SR	



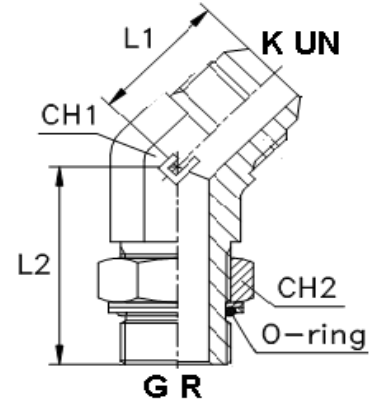
<b>G R pds L90K J2 M</b>	<b>X WEE - SR</b>	<b>podesivi nipel</b>
G R 1/4" pds L90K J2 M14x1,5	X WEE 6 - SR	
G R 1/4" pds L90K J2 M16x1,5	X WEE 8 - SR	
G R 3/8" pds L90K J2 M18x1,5	X WEE 10 - SR	
G R 3/8" pds L90K J2 M20x1,5	X WEE 12 - SR	
G R 1/2" pds L90K J2 M22x1,5	X WEE 14 - SR	
G R 1/2" pds L90K J2 M24x1,5	X WEE 16 - SR	
G R 3/4" pds L90K J2 M30x2	X WEE 20 - SR	
G R 1" pds L90K J2 M36x2	X WEE 25 - SR	
G R 1.1/4" pds L90K J2 M42x2	X WEE 30 - SR	
G R 1.1/2" pds L90K J2 M52x2	X WEE 38 - SR	



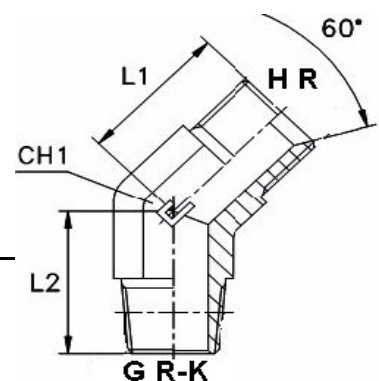
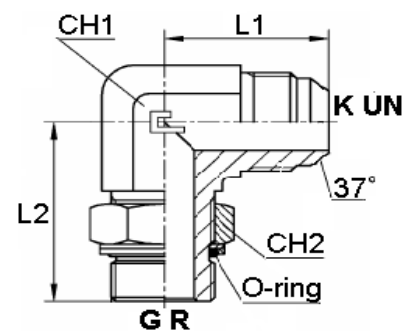
<b>G R pds L90K J2 M</b>	<b>X WH - SR</b>	<b>podesivi nipel</b>
G R 1/4" pds L90K J2 M14x1,5	X WH 6 - SR	
G R 1/4" pds L90K J2 M16x1,5	X WH 8 - SR	
G R 3/8" pds L90K J2 M18x1,5	X WH 10 - SR	
G R 3/8" pds L90K J2 M20x1,5	X WH 12 - SR	
G R 1/2" pds L90K J2 M22x1,5	X WH 14 - SR	
G R 1/2" pds L90K J2 M24x1,5	X WH 16 - SR	
G R 3/4" pds L90K J2 M30x2	X WH 20 - SR	
G R 1" pds L90K J2 M36x2	X WH 25 - SR	
G R 1.1/4" pds L90K J2 M42x2	X WH 30 - SR	
G R 1.1/2" pds L90K J2 M52x2	X WH 38 - SR	



<b>G R pds</b>	<b>L45K</b>	<b>K UN/UNF</b>	<b>V4OMX</b>	<b>podesivi nipel</b>
G R 1/8" pds	L45K	K UNF 7/16"	4 V4OMXS	
G R 1/8" pds	L45K	K UNF 1/ 2"	5 V4OMXS	
G R 1/4" pds	L45K	K UNF 7/16"	4- 4 V4OMXS	
G R 1/4" pds	L45K	K UNF 1/ 2"	5- 4 V4OMXS	
G R 1/4" pds	L45K	K UNF 9/16"	6 V4OMXS	
G R 1/4" pds	L45K	K UNF 3/ 4"	8- 4 V4OMXS	
G R 3/8" pds	L45K	K UNF 7/16"	4- 6 V4OMXS	
G R 3/8" pds	L45K	K UNF 1/ 2"	5- 6 V4OMXS	
G R 3/8" pds	L45K	K UNF 9/16"	6- 6 V4OMXS	
G R 3/8" pds	L45K	K UNF 3/ 4"	8 V4OMXS	
G R 3/8" pds	L45K	K UNF 7/ 8"	10- 6 V4OMXS	
G R 1/2" pds	L45K	K UNF 7/16"	4- 8 V4OMXS	
G R 1/2" pds	L45K	K UNF 9/16"	6- 8 V4OMXS	
G R 1/2" pds	L45K	K UNF 3/ 4"	8- 8 V4OMXS	
G R 1/2" pds	L45K	K UNF 7/ 8"	10 V4OMXS	
G R 1/2" pds	L45K	K UN1.1/16"	12- 8 V4OMXS	
G R 3/4" pds	L45K	K UNF 3/ 4"	8-12 V4OMXS	
G R 3/4" pds	L45K	K UNF 7/ 8"	10-12 V4OMXS	
G R 3/4" pds	L45K	K UN1.1/16"	12 V4OMXS	
G R 3/4" pds	L45K	K UN1.5/16"	16-12 V4OMXS	
G R1" pds	L45K	K UN1.1/16"	12-16 V4OMXS	
G R1" pds	L45K	K UN1.5/16"	16 V4OMXS	
G R1" pds	L45K	K UN1.5/ 8"	20-16 V4OMXS	
G R1.1/4" pds	L45K	K UN1.5/16"	16-20 V4OMXS	
G R1.1/4" pds	L45K	K UN1.5/ 8"	20 V4OMXS	
G R1.1/4" pds	L45K	K UN1.7/ 8"	24-20 V4OMXS	
G R1.1/2" pds	L45K	K UN1.7/ 8"	24 V4OMXS	

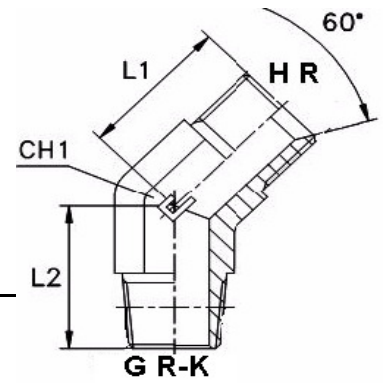


<b>G R pds</b>	<b>L90K</b>	<b>K UN/UNF</b>	<b>C4OMX</b>	<b>podesivi nipel</b>
G R 1/8" pds	L90K	K UNF 7/16"	4 C4OMXS	
G R 1/8" pds	L90K	K UNF 1/ 2"	5 C4OMXS	
G R 1/4" pds	L90K	K UNF 7/16"	4- 4 C4OMXS	
G R 1/4" pds	L90K	K UNF 1/ 2"	5- 4 C4OMXS	
G R 1/4" pds	L90K	K UNF 9/16"	6 C4OMXS	
G R 1/4" pds	L90K	K UNF 3/ 4"	8- 4 C4OMXS	
G R 3/8" pds	L90K	K UNF 7/16"	4- 6 C4OMXS	
G R 3/8" pds	L90K	K UNF 1/ 2"	5- 6 C4OMXS	
G R 3/8" pds	L90K	K UNF 9/16"	6- 6 C4OMXS	
G R 3/8" pds	L90K	K UNF 3/ 4"	8 C4OMXS	
G R 3/8" pds	L90K	K UNF 7/ 8"	10- 6 C4OMXS	
G R 1/2" pds	L90K	K UNF 7/16"	4- 8 C4OMXS	
G R 1/2" pds	L90K	K UNF 9/16"	6- 8 C4OMXS	
G R 1/2" pds	L90K	K UNF 3/ 4"	8- 8 C4OMXS	
G R 1/2" pds	L90K	K UNF 7/ 8"	10 C4OMXS	
G R 1/2" pds	L90K	K UN1.1/16"	12- 8 C4OMXS	
G R 3/4" pds	L90K	K UNF 3/ 4"	8-12 C4OMXS	
G R 3/4" pds	L90K	K UNF 7/ 8"	10-12 C4OMXS	
G R 3/4" pds	L90K	K UN1.1/16"	12 C4OMXS	
G R 3/4" pds	L90K	K UN1.5/16"	16-12 C4OMXS	
G R1" pds	L90K	K UN1.1/16"	12-16 C4OMXS	
G R1" pds	L90K	K UN1.5/16"	16 C4OMXS	
G R1" pds	L90K	K UN1.5/ 8"	20-16 C4OMXS	
G R1.1/4" pds	L90K	K UN1.5/16"	16-20 C4OMXS	
G R1.1/4" pds	L90K	K UN1.5/ 8"	20 C4OMXS	
G R1.1/4" pds	L90K	K UN1.7/ 8"	24-20 C4OMXS	
G R1.1/2" pds	L90K	K UN1.7/ 8"	24 C4OMXS	



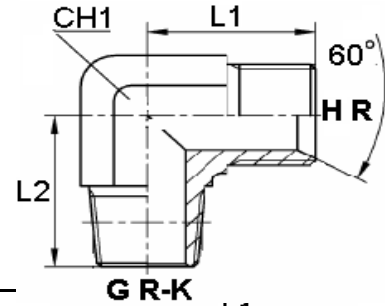
<b>G R-K</b>	<b>L45K</b>	<b>HR</b>		
G R 1/8"K	L45K	HR 1/8"		
G R 1/4"K	L45K	HR 1/4"		
G R 3/8"K	L45K	HR 3/8"		
G R 1/2"K	L45K	HR 1/2"		

GR 5/8"K L45K HR 1/2"  
 GR 3/4"K L45K HR 3/4"  
 GR 1"K L45K HR 1"  
 GR 1.1/4"K L45K HR 1.1/4"  
 GR 1.1/2"K L45K HR 1.1/2"  
 GR 2"K L45K HR 2"



**GR-K L90K HR**

GR 1/8"K L90K HR 1/8"  
 GR 1/4"K L90K HR 1/4"  
 GR 3/8"K L90K HR 3/8"  
 GR 1/2"K L90K HR 1/2"  
 GR 5/8"K L90K HR 1/2"  
 GR 3/4"K L90K HR 3/4"  
 GR 1"K L90K HR 1"  
 GR 1.1/4"K L90K HR 1.1/4"  
 GR 1.1/2"K L90K HR 1.1/2"  
 GR 2"K L90K HR 2"

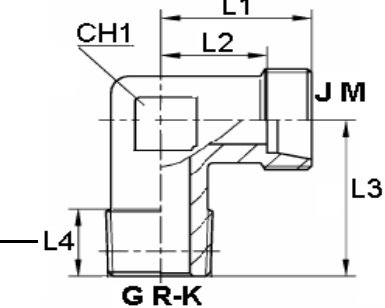


**GR-K L90K JM**

GR 1/8"K L90K JM 8x1  
 GR 1/8"K L90K JM 10x1  
 GR 1/8"K L90K JM 12x1  
 GR 1/4"K L90K JM 14x1  
 GR 1/4"K L90K JM 16x1

**X WE - LLR**

X WE 4 - LLR  
 X WE 6 - LLR  
 X WE 8 - LLR  
 X WE 10 - LLR  
 X WE 12 - LLR

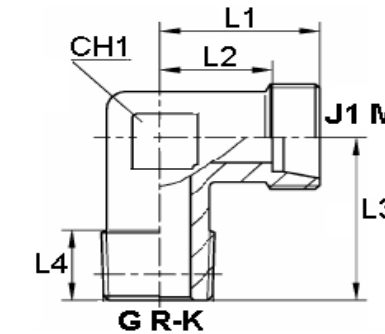


**GR-K L90K J1 M**

GR 1/8"K L90K J1 M12x1,5  
 GR 1/8"K L90K J1 M14x1,5  
 GR 1/8"K L90K J1 M16x1,5  
 GR 1/4"K L90K J1 M12x1,5  
 GR 1/4"K L90K J1 M14x1,5  
 GR 1/4"K L90K J1 M16x1,5  
 GR 1/4"K L90K J1 M18x1,5  
 GR 3/8"K L90K J1 M14x1,5  
 GR 3/8"K L90K J1 M16x1,5  
 GR 3/8"K L90K J1 M18x1,5  
 GR 3/8"K L90K J1 M22x1,5  
 GR 1/2"K L90K J1 M14x1,5  
 GR 1/2"K L90K J1 M16x1,5  
 GR 1/2"K L90K J1 M18x1,5  
 GR 1/2"K L90K J1 M22x1,5  
 GR 1/2"K L90K J1 M26x1,5  
 GR 3/4"K L90K J1 M26x1,5  
 GR 3/4"K L90K J1 M30x2  
 GR 1"K L90K J1 M36x2  
 GR 1.1/4"K L90K J1 M45x2  
 GR 1.1/2"K L90K J1 M52x2

**X WE - LR**

X WE 6 - LR  
 X WE 8 - LR1/8  
 X WE 10 - LR1/8  
 X WE 6 - LR1/4  
 X WE 8 - LR  
 X WE 10 - LR  
 X WE 12 - LR1/4  
 X WE 8 - LR3/8  
 X WE 10 - LR3/8  
 X WE 12 - LR  
 X WE 15 - LR3/8  
 X WE 8 - LR1/2  
 X WE 10 - LR1/2  
 X WE 12 - LR1/2  
 X WE 15 - LR  
 X WE 18 - LR  
 X WE 18 - LR3/4  
 X WE 22 - LR  
 X WE 28 - LR  
 X WE 35 - LR  
 X WE 42 - LR

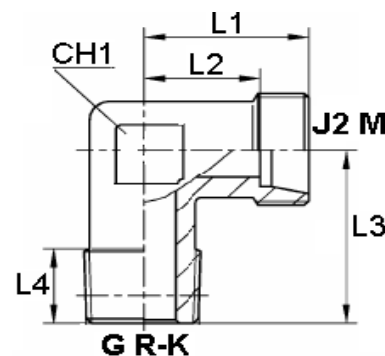


**GR-K L90K J2 M**

GR 1/4"K L90K J2 M14x1,5  
 GR 1/4"K L90K J2 M16x1,5  
 GR 3/8"K L90K J2 M18x1,5  
 GR 3/8"K L90K J2 M20x1,5  
 GR 3/8"K L90K J2 M22x1,5  
 GR 3/8"K L90K J2 M24x1,5  
 GR 1/2"K L90K J2 M20x1,5  
 GR 1/2"K L90K J2 M22x1,5  
 GR 1/2"K L90K J2 M24x1,5  
 GR 1/2"K L90K J2 M30x2  
 GR 3/4"K L90K J2 M30x2  
 GR 3/4"K L90K J2 M36x2

**X WE - SR**

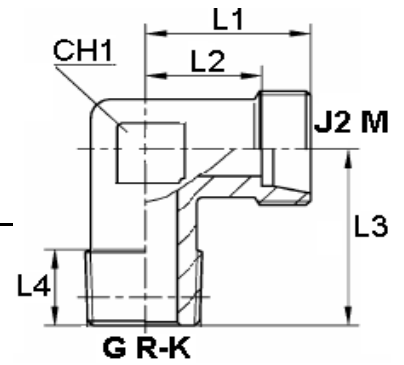
X WE 6 - SR  
 X WE 8 - SR  
 X WE 10 - SR  
 X WE 12 - SR  
 X WE 14 - SR3/8  
 X WE 16 - SR3/8  
 X WE 12 - SR1/2  
 X WE 14 - SR  
 X WE 16 - SR  
 X WE 20 - SR1/2  
 X WE 20 - SR  
 X WE 25 - SR3/4





G R1"K L90K J2 M36x2  
 G R1"K L90K J2 M42x2  
 G R1.1/4"K L90K J2 M42x2  
 G R1.1/2"K L90K J2 M52x2

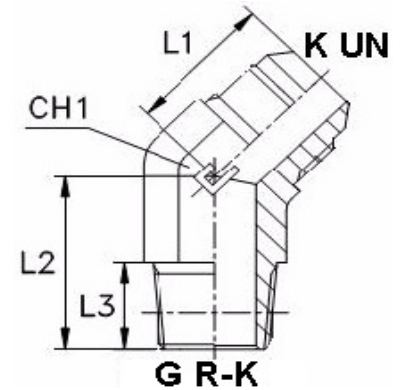
X WE 25 - SR  
 X WE 30 - SR1  
 X WE 30 - SR  
 X WE 38 - SR



**G R-K L45K K UN/UNF**

**V3MX**

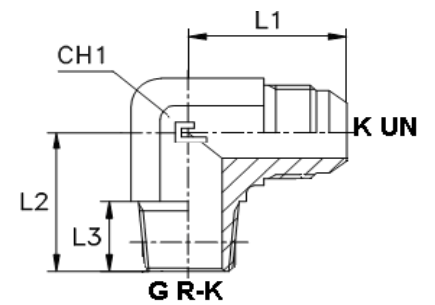
GR 1/8"K L45K K UNF 7/16"	4	V3MXS
GR 1/8"K L45K K UNF 1/ 2"	5	V3MXS
GR 1/8"K L45K K UNF 9/16"		
GR 1/4"K L45K K UNF 7/16"	4-	4 V3MXS
GR 1/4"K L45K K UNF 1/ 2"	5-	4 V3MXS
GR 1/4"K L45K K UNF 9/16"	6	V3MXS
GR 1/4"K L45K K UNF 3/ 4"		
GR 3/8"K L45K K UNF 9/16"	6-	6 V3MXS
GR 3/8"K L45K K UNF 3/ 4"	8	V3MXS
GR 3/8"K L45K K UNF 7/ 8"		
GR 1/2"K L45K K UNF 9/16"	6-	8 V3MXS
GR 1/2"K L45K K UNF 3/ 4"	8-	8 V3MXS
GR 1/2"K L45K K UNF 7/ 8"	10	V3MXS
GR 1/2"K L45K K UN1.1/16"		
GR 3/4"K L45K K UNF 3/ 4"		
GR 3/4"K L45K K UNF 7/ 8"		
GR 3/4"K L45K K UN1.1/16"	12	V3MXS
GR 3/4"K L45K K UN1.5/16"		
GR 1"K L45K K UN1.1/16"		
GR 1"K L45K K UN1.5/16"	16	V3MXS
GR 1"K L45K K UN1.5/ 8"		
GR 1.1/4"K L45K K UN1.5/ 8"	20	V3MXS
GR 1.1/2"K L45K K UN1.7/ 8"	24	V3MXS



**G R-K L90K K UN/UNF**

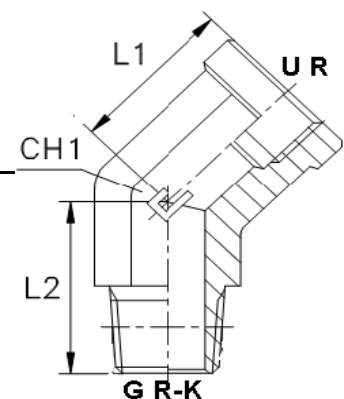
**C3MX**

GR 1/8"K L90K K UNF 7/16"	4	C3MXS
GR 1/8"K L90K K UNF 1/ 2"	5	C3MXS
GR 1/8"K L90K K UNF 9/16"		
GR 1/4"K L90K K UNF 7/16"	4-	4 C3MXS
GR 1/4"K L90K K UNF 1/ 2"	5-	4 C3MXS
GR 1/4"K L90K K UNF 9/16"	6	C3MXS
GR 1/4"K L90K K UNF 3/ 4"	8-	4 C3MXS
GR 3/8"K L90K K UNF 9/16"	6-	6 C3MXS
GR 3/8"K L90K K UNF 3/ 4"	8	C3MXS
GR 3/8"K L90K K UNF 7/ 8"	10-	6 C3MXS
GR 1/2"K L90K K UNF 9/16"	6-	8 C3MXS
GR 1/2"K L90K K UNF 3/ 4"	8-	8 C3MXS
GR 1/2"K L90K K UNF 7/ 8"	10	C3MXS
GR 1/2"K L90K K UN1.1/16"	12-	8 C3MXS
GR 3/4"K L90K K UNF 3/ 4"		
GR 3/4"K L90K K UNF 7/ 8"	10-12	C3MXS
GR 3/4"K L90K K UN1.1/16"	12	C3MXS
GR 3/4"K L90K K UN1.5/16"	16-12	C3MXS
GR 1"K L90K K UN1.1/16"	12-16	C3MXS
GR 1"K L90K K UN1.5/16"	16	C3MXS
GR 1"K L90K K UN1.5/ 8"	20-16	C3MXS
GR 1.1/4"K L90K K UN1.5/ 8"	20	C3MXS
GR 1.1/2"K L90K K UN1.7/ 8"	24	C3MXS

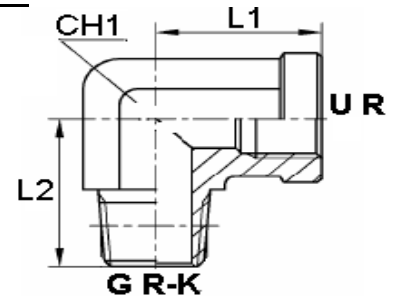


**G R-K L45K UR**

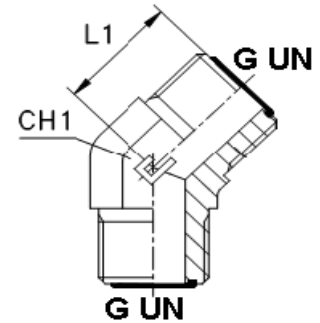
GR 1/8"K L45K UR 1/8"
GR 1/4"K L45K UR 1/4"
GR 3/8"K L45K UR 3/8"
GR 1/2"K L45K UR 1/2"
GR 3/4"K L45K UR 3/4"
GR 1"K L45K UR 1"
GR 1.1/4"K L45K UR 1.1/4"



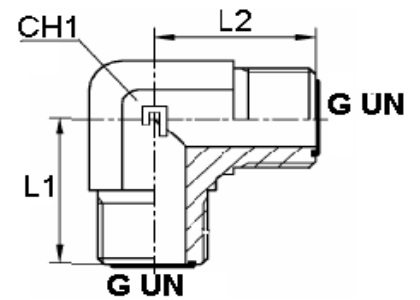
<b>G R-K L90K UR</b>	-	-
G R 1/8"K L90K UR 1/8"		
G R 1/4"K L90K UR 1/4"		
G R 3/8"K L90K UR 3/8"		
G R 1/2"K L90K UR 1/2"		
G R 3/4"K L90K UR 3/4"		
G R1"K L90K UR1"		
G R1.1/4"K L90K UR1.1/4"		
G R1.1/2"K L90K UR1.1/2"		
G R2"K L90K UR2"		



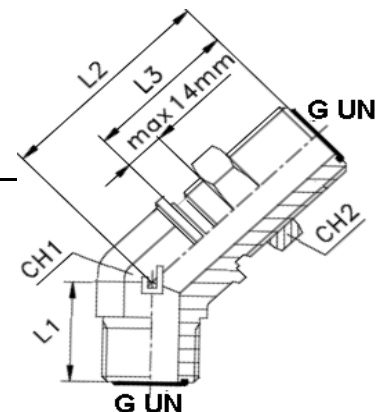
<b>G UN/UNF/UNS L45K G UN/UNF/UNS</b>	-	-
G UNF 9/16" L45K G UNF 9/16"		
G UN 11/16" L45K G UN 11/16"		
G UN 13/16" L45K G UN 13/16"		
G UNS1" L45K G UNS1"		
G UN 1. 3/16" L45K G UN 1. 3/16"		
G UN 1. 7/16" L45K G UN 1. 7/16"		
G UN 1.11/16" L45K G UN 1.11/16"		
G UN 2" L45K G UN 2"		



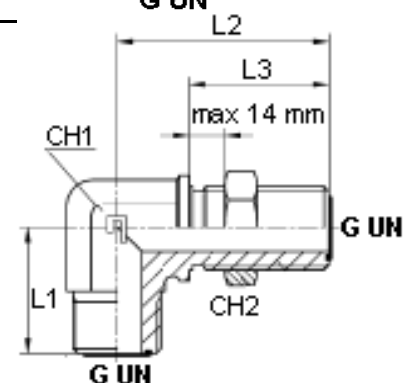
<b>G UN/UNF/UNS L90K G UN/UNF/UNS</b>	<b>EMLO</b>	-
G UNF 9/16" L90K G UNF 9/16"	4 EMLOS	
G UNF 9/16" L90K G UN 11/16"	4- 6 EMLOS	
G UN 11/16" L90K G UN 11/16"	6 EMLOS	
G UN 11/16" L90K G UN 13/16"	6- 8 EMLOS	
G UN 11/16" L90K G UN 1. 3/16"	6-12 EMLOS	
G UN 13/16" L90K G UN 13/16"	8 EMLOS	
G UN 13/16" L90K G UNS1"	8-10 EMLOS	
G UN 13/16" L90K G UN 1. 3/16"	8-12 EMLOS	
G UNS1" L90K G UNS1"	10 EMLOS	
G UNS1" L90K G UN 1. 3/16"	10-12 EMLOS	
G UN 1. 3/16" L90K G UN 1. 3/16"	12 EMLOS	
G UN 1. 3/16" L90K G UN 1. 7/16"	12-16 EMLOS	
G UN 1. 7/16" L90K G UN 1. 7/16"	16 EMLOS	
G UN 1. 7/16" L90K G UN 1.11/16"	16-20 EMLOS	
G UN 1.11/16" L90K G UN 1.11/16"	20 EMLOS	
G UN 2" L90K G UN 2"	24 EMLOS	



<b>G UN/UNF/UNS L45K G UN/UNF/UNS p</b>	<b>WNLO</b>	-
G UNF 9/16" L45K G UNF 9/16" p	4 WNLOS	
G UN 11/16" L45K G UN 11/16" p	6 WNLOS	
G UN 13/16" L45K G UN 13/16" p	8 WNLOS	
G UNS1" L45K G UNS1" p	10 WNLOS	

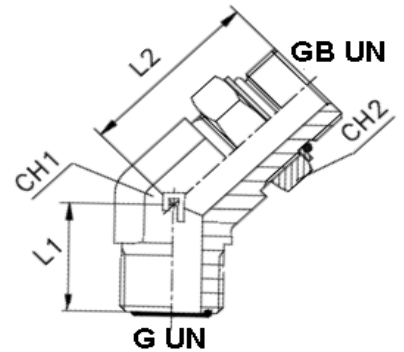


<b>G UN/UNF/UNS L90K G UN/UNF/UNS p</b>	<b>WEMLO</b>	-
G UNF 9/16" L90K G UNF 9/16" p	4 WEMLOS	
G UN 11/16" L90K G UN 11/16" p	6 WEMLOS	
G UN 13/16" L90K G UN 13/16" p	8 WEMLOS	
G UNS1" L90K G UNS1" p	10 WEMLOS	
G UN 1. 3/16" L90K G UN 1. 3/16" p	12 WEMLOS	
G UN 1. 7/16" L90K G UN 1. 7/16" p	16 WEMLOS	
G UN 1.11/16" L90K G UN 1.11/16" p	20 WEMLOS	
G UN 2" L90K G UN 2" p	24 WEMLOS	

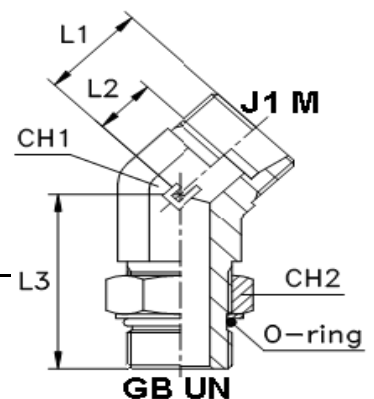
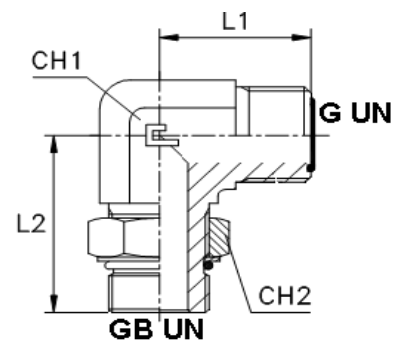




G UN/UNF/UNS L45K GB UN/UNF				V50MLO	podesivi nipel
G UNF 9/16"	L45K	GB UNF 7/16"		4 V50MLOS	
G UNF 9/16"	L45K	GB UNF 9/16"		4- 6 V50MLOS	
G UNF 9/16"	L45K	GB UNF 3/ 4"		4- 8 V50MLOS	
G UN 11/16"	L45K	GB UNF 7/16"		6- 4 V50MLOS	
G UN 11/16"	L45K	GB UNF 9/16"		6 V50MLOS	
G UN 11/16"	L45K	GB UNF 3/ 4"		6- 8 V50MLOS	
G UN 11/16"	L45K	GB UNF 7/ 8"		6-10 V50MLOS	
G UN 11/16"	L45K	GB UN 1. 1/16"		6-12 V50MLOS	
G UN 13/16"	L45K	GB UNF 9/16"		8- 6 V50MLOS	
G UN 13/16"	L45K	GB UNF 3/ 4"		8 V50MLOS	
G UN 13/16"	L45K	GB UNF 7/ 8"		8-10 V50MLOS	
G UN 13/16"	L45K	GB UN 1. 1/16"		8-12 V50MLOS	
G UNS1"	L45K	GB UNF 3/ 4"		10- 8 V50MLOS	
G UNS1"	L45K	GB UNF 7/ 8"		10 V50MLOS	
G UNS1"	L45K	GB UN 1. 1/16"		10-12 V50MLOS	
G UN 1. 3/16"	L45K	GB UNF 3/ 4"		12- 8 V50MLOS	
G UN 1. 3/16"	L45K	GB UNF 7/ 8"		12-10 V50MLOS	
G UN 1. 3/16"	L45K	GB UN 1. 1/16"		12 V50MLOS	
G UN 1. 3/16"	L45K	GB UN 1. 5/16"		12-16 V50MLOS	
G UN 1. 7/16"	L45K	GB UN 1. 1/16"		16-12 V50MLOS	
G UN 1. 7/16"	L45K	GB UN 1. 5/16"		16 V50MLOS	
G UN 1. 7/16"	L45K	GB UN 1. 5/ 8"		16-20 V50MLOS	
G UN 1.11/16"	L45K	GB UN 1. 5/16"		20-16 V50MLOS	
G UN 1.11/16"	L45K	GB UN 1. 5/ 8"		20 V50MLOS	
G UN 1.11/16"	L45K	GB UN 1. 7/ 8"		20-24 V50MLOS	
G UN 2"	L45K	GB UN 1. 5/ 8"		24-20 V50MLOS	
G UN 2"	L45K	GB UN 1. 7/ 8"		24 V50MLOS	



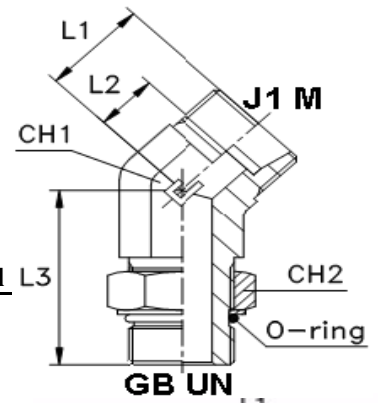
G UN/UNF/UNS L90K GB UN/UNF				C50MLO	podesivi nipel
G UNF 9/16"	L90K	GB UNF 7/16"		4 C50MLOS	
G UNF 9/16"	L90K	GB UNF 9/16"		4- 6 C50MLOS	
G UNF 9/16"	L90K	GB UNF 3/ 4"		4- 8 C50MLOS	
G UN 11/16"	L90K	GB UNF 7/16"		6- 4 C50MLOS	
G UN 11/16"	L90K	GB UNF 9/16"		6 C50MLOS	
G UN 11/16"	L90K	GB UNF 3/ 4"		6- 8 C50MLOS	
G UN 11/16"	L90K	GB UNF 7/ 8"		6-10 C50MLOS	
G UN 11/16"	L90K	GB UN 1. 1/16"		6-12 C50MLOS	
G UN 13/16"	L90K	GB UNF 9/16"		8- 6 C50MLOS	
G UN 13/16"	L90K	GB UNF 3/ 4"		8 C50MLOS	
G UN 13/16"	L90K	GB UNF 7/ 8"		8-10 C50MLOS	
G UN 13/16"	L90K	GB UN 1. 1/16"		8-12 C50MLOS	
G UNS1"	L90K	GB UNF 3/ 4"		10- 8 C50MLOS	
G UNS1"	L90K	GB UNF 7/ 8"		10 C50MLOS	
G UNS1"	L90K	GB UN 1. 1/16"		10-12 C50MLOS	
G UN 1. 3/16"	L90K	GB UNF 3/ 4"		12- 8 C50MLOS	
G UN 1. 3/16"	L90K	GB UNF 7/ 8"		12-10 C50MLOS	
G UN 1. 3/16"	L90K	GB UN 1. 1/16"		12 C50MLOS	
G UN 1. 3/16"	L90K	GB UN 1. 5/16"		12-16 C50MLOS	
G UN 1. 7/16"	L90K	GB UN 1. 1/16"		16-12 C50MLOS	
G UN 1. 7/16"	L90K	GB UN 1. 5/16"		16 C50MLOS	
G UN 1. 7/16"	L90K	GB UN 1. 5/ 8"		16-20 C50MLOS	
G UN 1.11/16"	L90K	GB UN 1. 5/16"		20-16 C50MLOS	
G UN 1.11/16"	L90K	GB UN 1. 5/ 8"		20 C50MLOS	
G UN 1.11/16"	L90K	GB UN 1. 7/ 8"		20-24 C50MLOS	
G UN 2"	L90K	GB UN 1. 5/ 8"		24-20 C50MLOS	
G UN 2"	L90K	GB UN 1. 7/ 8"		24 V50MLOS	



GB UN/UNF pds L45K J1 M			X VEE - LUNF/UN	podesivi nipel
GB UNF 7/16" pds	L45K	J1 M12x1,5	X VEE 6 - L7/16UNF	
GB UNF 7/16" pds	L45K	J1 M14x1,5	X VEE 8 - L7/16UNF	
GB UNF 9/16" pds	L45K	J1 M16x1,5	X VEE 10 - L9/16UNF	
GB UNF 3/ 4" pds	L45K	J1 M18x1,5	X VEE 12 - L3/4UNF	

GB UNF 7/ 8" pds	L45K	J1	M22x1,5
GB UNF 7/ 8" pds	L45K	J1	M26x1,5
GB UN1.1/16" pds	L45K	J1	M30x2
GB UN1.5/16" pds	L45K	J1	M36x2
GB UN1.5/ 8" pds	L45K	J1	M45x2
GB UN1.7/ 8" pds	L45K	J1	M52x2

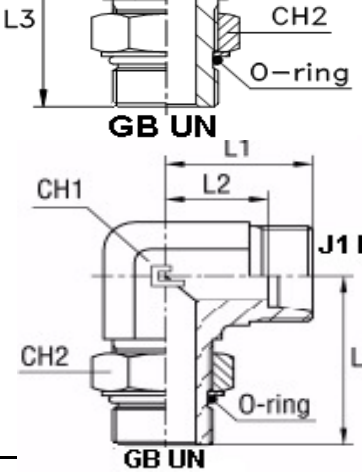
X VEE 15 - L7/8UNF
X VEE 18 - L7/8UNF
X VEE 22 - L1.1/16UN
X VEE 28 - L1.5/16UN
X VEE 35 - L1.5/8UN
X VEE 42 - L1.7/8UN



GB UN/UNF pds	L90K	J1 M
GB UNF 7/16" pds	L90K	J1 M12x1,5
GB UNF 7/16" pds	L90K	J1 M14x1,5
GB UNF 9/16" pds	L90K	J1 M16x1,5
GB UNF 3/ 4" pds	L90K	J1 M18x1,5
GB UNF 7/ 8" pds	L90K	J1 M22x1,5
GB UNF 7/ 8" pds	L90K	J1 M26x1,5
GB UN1.1/16" pds	L90K	J1 M30x2
GB UN1.5/16" pds	L90K	J1 M36x2
GB UN1.5/ 8" pds	L90K	J1 M45x2
GB UN1.7/ 8" pds	L90K	J1 M52x2

X WEE - LUNF/UN
X WEE 6 - L7/16UNF
X WEE 8 - L7/16UNF
X WEE 10 - L9/16UNF
X WEE 12 - L3/4UNF
X WEE 15 - L7/8UNF
X WEE 18 - L7/8UNF
X WEE 22 - L1.1/16UN
X WEE 28 - L1.5/16UN
X WEE 35 - L1.5/8UN
X WEE 42 - L1.7/8UN

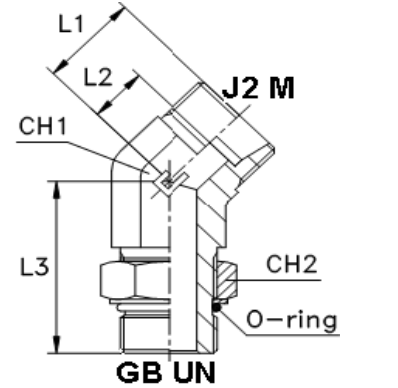
podesivi nipel



GB UN/UNF pds	L45K	J2 M
GB UNF 7/16" pds	L45K	J2 M14x1,5
GB UNF 9/16" pds	L45K	J2 M16x1,5
GB UNF 9/16" pds	L45K	J2 M18x1,5
GB UN 3/ 4" pds	L45K	J2 M20x1,5
GB UNF 7/ 8" pds	L45K	J2 M22x1,5
GB UNF 7/ 8" pds	L45K	J2 M24x1,5
GB UN1.1/16" pds	L45K	J2 M30x2
GB UN1.5/16" pds	L45K	J2 M36x2
GB UN1.5/ 8" pds	L45K	J2 M42x2
GB UN1.7/ 8" pds	L45K	J2 M52x2

X VEE - SUNF/UN
X VEE 6 - S7/16UNF
X VEE 8 - S9/16UNF
X VEE 10 - S3/4UNF
X VEE 12 - S3/4UNF
X VEE 14 - S7/8UNF
X VEE 16 - S7/8UNF
X VEE 20 - S1.1/16UN
X VEE 25 - S1.5/16UN
X VEE 30 - S1.5/8UN
X VEE 38 - S1.7/8UN

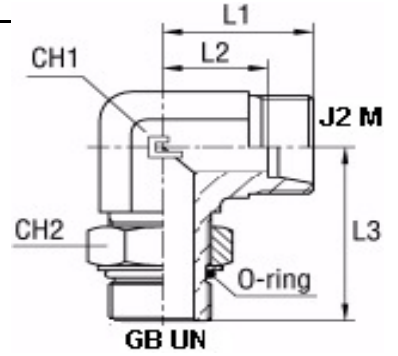
podesivi nipel



GB UN/UNF pds	L90K	J2 M
GB UNF 7/16" pds	L90K	J2 M14x1,5
GB UNF 9/16" pds	L90K	J2 M16x1,5
GB UNF 9/16" pds	L90K	J2 M18x1,5
GB UN 3/ 4" pds	L90K	J2 M20x1,5
GB UNF 7/ 8" pds	L90K	J2 M22x1,5
GB UNF 7/ 8" pds	L90K	J2 M24x1,5
GB UN1.1/16" pds	L90K	J2 M30x2
GB UN1.5/16" pds	L90K	J2 M36x2
GB UN1.5/ 8" pds	L90K	J2 M42x2
GB UN1.7/ 8" pds	L90K	J2 M52x2

X WEE - SUNF/UN
X WEE 6 - S7/16UNF
X WEE 8 - S9/16UNF
X WEE 10 - S3/4UNF
X WEE 12 - S3/4UNF
X WEE 14 - S7/8UNF
X WEE 16 - S7/8UNF
X WEE 20 - S1.1/16UN
X WEE 25 - S1.5/16UN
X WEE 30 - S1.5/8UN
X WEE 38 - S1.7/8UN

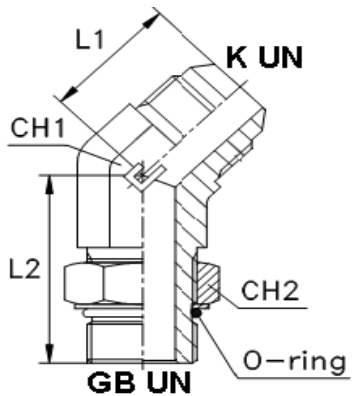
podesivi nipel



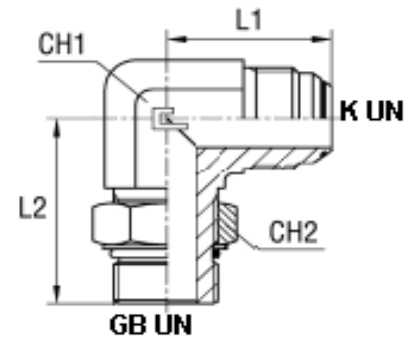
GB UN/UNF pds	L90K	K UN/UNF
GB UNF 7/16" pds	L45K	K UNF 7/16"
GB UNF 1/ 2" pds	L45K	K UNF 7/16"
GB UNF 1/ 2" pds	L45K	K UNF 1/ 2"
GB UNF 9/16" pds	L45K	K UNF 9/16"
GB UNF 3/ 4" pds	L45K	K UNF 9/16"
GB UNF 3/ 4" pds	L45K	K UNF 3/ 4"
GB UNF 3/ 4" pds	L45K	K UNF 7/ 8"
GB UNF 3/ 4" pds	L45K	K UN1.1/16"
GB UNF 7/ 8" pds	L45K	K UNF 3/ 4"
GB UNF 7/ 8" pds	L45K	K UNF 7/ 8"
GB UNF 7/ 8" pds	L45K	K UN1.1/16"
GB UN1.1/16" pds	L45K	K UN1.1/16"
GB UN1.1/16" pds	L45K	K UN1.5/16"
GB UN1.5/16" pds	L45K	K UN1.1/16"
GB UN1.5/16" pds	L45K	K UN1.5/16"
GB UN1.5/ 8" pds	L45K	K UN1.5/16"
GB UN1.5/ 8" pds	L45K	K UN1.5/ 8"
GB UN1.5/ 8" pds	L45K	K UN1.5/ 8"
GB UN1.7/ 8" pds	L45K	K UN1.7/ 8"

V5OMX
4 V5OMXS
5- 4 V5OMXS
5 V5OMXS
6 V5OMXS
6- 8 V5OMXS
8 V5OMXS
10- 8 V5OMXS
12- 8 V5OMXS
8-10 V5OMXS
10 V5OMXS
12-10 V5OMXS
12 V5OMXS
16-12 V5OMXS
12-20 V5OMXS
16 V5OMXS
16-20 V5OMXS
20 V5OMXS
24 V5OMXS

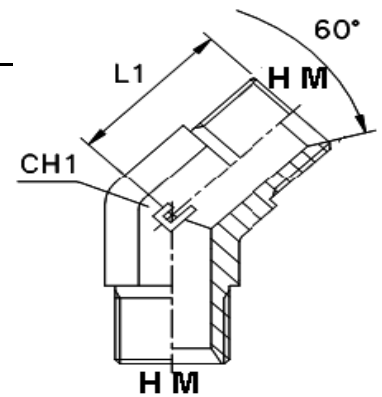
podesivi nipel



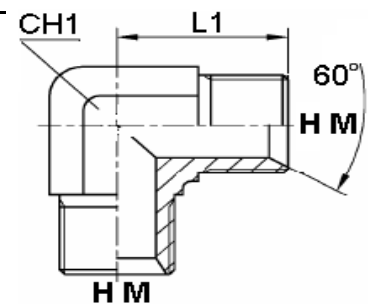
GB UN/UNF pds	L90K	K UN/UNF	C50MX	podesivi nipel
GB UNF 7/16" pds	L90K	K UNF 7/16"	4	C50MXS
GB UNF 7/16" pds	L90K	K UNF 9/16"	6- 4	C50MXS
GB UNF 1/ 2" pds	L90K	K UNF 7/16"	5- 4	C50MXS
GB UNF 1/ 2" pds	L90K	K UNF 1/ 2"	5	C50MXS
GB UNF 1/ 2" pds	L90K	K UNF 9/16"	6- 5	C50MXS
GB UNF 9/16" pds	L90K	K UNF 7/16"	4- 6	C50MXS
GB UNF 9/16" pds	L90K	K UNF 1/ 2"	5- 6	C50MXS
GB UNF 9/16" pds	L90K	K UNF 9/16"	6	C50MXS
GB UNF 9/16" pds	L90K	K UNF 3/ 4"	8- 6	C50MXS
GB UNF 3/ 4" pds	L90K	K UNF 9/16"	6- 8	C50MXS
GB UNF 3/ 4" pds	L90K	K UNF 3/ 4"	8	C50MXS
GB UNF 3/ 4" pds	L90K	K UNF 7/ 8"	10- 8	C50MXS
GB UNF 3/ 4" pds	L90K	K UN1.1/16"	12- 8	C50MXS
GB UNF 7/ 8" pds	L90K	K UNF 9/16"	6-10	C50MXS
GB UNF 7/ 8" pds	L90K	K UNF 3/ 4"	8-10	C50MXS
GB UNF 7/ 8" pds	L90K	K UNF 7/ 8"	10	C50MXS
GB UNF 7/ 8" pds	L90K	K UN1.1/16"	12-10	C50MXS
GB UN1.1/16" pds	L90K	K UNF 3/ 4"	8-12	C50MXS
GB UN1.1/16" pds	L90K	K UNF 7/ 8"	10-12	C50MXS
GB UN1.1/16" pds	L90K	K UN1.1/16"	12	C50MXS
GB UN1.1/16" pds	L90K	K UN1.5/16"	16-12	C50MXS
GB UN1.5/16" pds	L90K	K UN1.1/16"	12-20	C50MXS
GB UN1.5/16" pds	L90K	K UN1.5/16"	16	C50MXS
GB UN1.5/ 8" pds	L90K	K UN1.5/16"	16-20	C50MXS
GB UN1.5/ 8" pds	L90K	K UN1.5/ 8"	20	C50MXS
GB UN1.7/ 8" pds	L90K	K UN1.7/ 8"	24	C50MXS



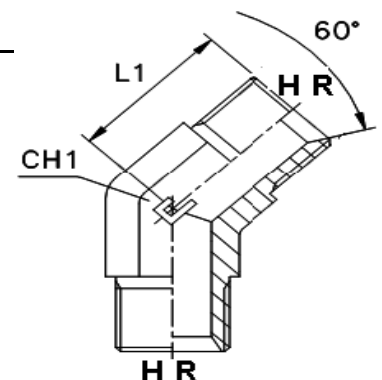
H M	L45K	H M	-	-
H M10x1	L45K	H M10x1		
H M12x1,5	L45K	H M12x1,5		
H M14x1,5	L45K	H M14x1,5		
H M16x1,5	L45K	H M16x1,5		
H M18x1,5	L45K	H M18x1,5		
H M22x1,5	L45K	H M22x1,5		
H M26x1,5	L45K	H M26x1,5		
H M30x1,5	L45K	H M30x1,5		



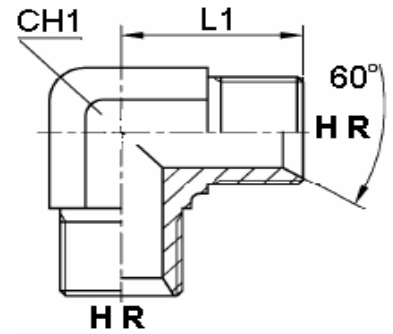
H M	L90K	H M	-	-
H M10x1	L90K	H M10x1		
H M12x1,5	L90K	H M12x1,5		
H M14x1,5	L90K	H M14x1,5		
H M16x1,5	L90K	H M16x1,5		
H M18x1,5	L90K	H M18x1,5		
H M22x1,5	L90K	H M22x1,5		
H M26x1,5	L90K	H M26x1,5		
H M30x1,5	L90K	H M30x1,5		



H R	L45K	H R	-	-
H R 1/8"	L45K	H R 1/8"		
H R 1/4"	L45K	H R 1/4"		
H R 3/8"	L45K	H R 3/8"		
H R 1/2"	L45K	H R 1/2"		
H R 5/8"	L45K	H R 5/8"		
H R 3/4"	L45K	H R 3/4"		
H R1"	L45K	H R1"		
H R1.1/4"	L45K	H R1.1/4"		
H R1.1/2"	L45K	H R1.1/2"		

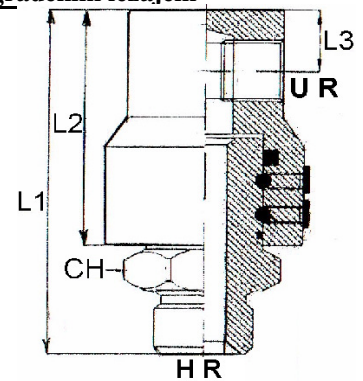


HR	L90K	HR
HR 1/8"	L90K	HR 1/8"
HR 1/4"	L90K	HR 1/4"
HR 3/8"	L90K	HR 3/8"
HR 1/2"	L90K	HR 1/2"
HR 5/8"	L90K	HR 5/8"
HR 3/4"	L90K	HR 3/4"
HR1"	L90K	HR1"
HR1.1/4"	L90K	HR1.1/4"
HR1.1/2"	L90K	HR1.1/2"
HR2"	L90K	HR2"

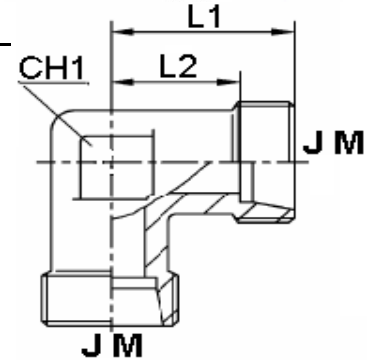


HR okr	L90K	UR
HR 1/4" okr	L90K	UR 1/4"
HR 3/8" okr	L90K	UR 3/8"
HR 1/2" okr	L90K	UR 1/2"
HR 3/4" okr	L90K	UR 3/4"
HR1" okr	L90K	UR1"
HR1.1/4" okr	L90K	UR1.1/4"
HR1.1/2" okr	L90K	UR1.1/2"
HR2" okr	L90K	UR2"

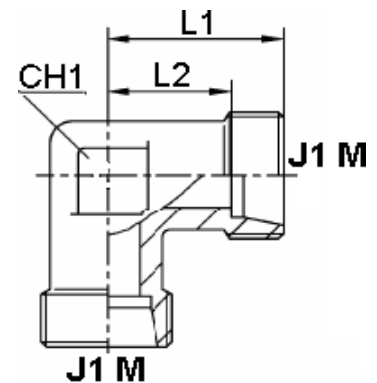
okretni nipel s ugrađenim ležajem



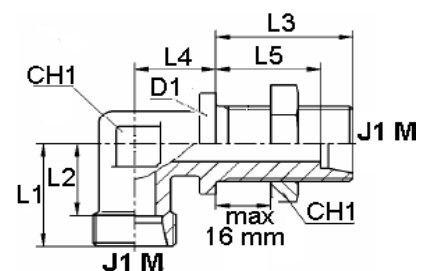
JM	L90K	JM	XW - LL
JM 8x1	L90K	JM 8x1	XW 4 - LL
JM10x1	L90K	JM10x1	XW 6 - LL
JM12x1	L90K	JM12x1	XW 8 - LL
JM14x1	L90K	JM14x1	XW 10 - LL
JM16x1	L90K	JM16x1	XW 12 - LL



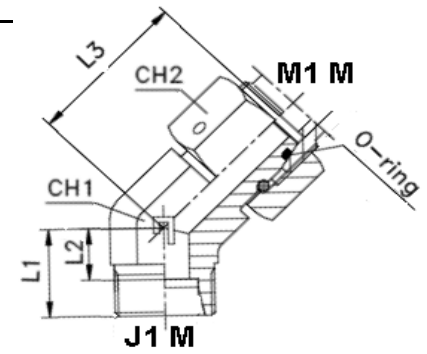
J1 M	L90K	J1 M	XW - L
J1 M12x1,5	L90K	J1 M12x1,5	XW 6 - L
J1 M14x1,5	L90K	J1 M14x1,5	XW 8 - L
J1 M16x1,5	L90K	J1 M16x1,5	XW 10 - L
J1 M18x1,5	L90K	J1 M18x1,5	XW 12 - L
J1 M22x1,5	L90K	J1 M22x1,5	XW 15 - L
J1 M26x1,5	L90K	J1 M26x1,5	XW 18 - L
J1 M30x2	L90K	J1 M30x2	XW 22 - L
J1 M36x2	L90K	J1 M36x2	XW 28 - L
J1 M45x2	L90K	J1 M45x2	XW 35 - L
J1 M52x2	L90K	J1 M52x2	XW 42 - L



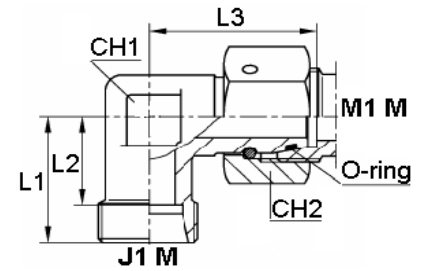
J1 M	L90K	J1 M p	XWSV - L
J1 M12x1,5	L90K	J1 M12x1,5 p	XWSV 6 - L
J1 M14x1,5	L90K	J1 M14x1,5 p	XWSV 8 - L
J1 M16x1,5	L90K	J1 M16x1,5 p	XWSV 10 - L
J1 M18x1,5	L90K	J1 M18x1,5 p	XWSV 12 - L
J1 M22x1,5	L90K	J1 M22x1,5 p	XWSV 15 - L
J1 M26x1,5	L90K	J1 M26x1,5 p	XWSV 18 - L
J1 M30x2	L90K	J1 M30x2 p	XWSV 22 - L
J1 M36x2	L90K	J1 M36x2 p	XWSV 28 - L
J1 M45x2	L90K	J1 M45x2 p	XWSV 35 - L
J1 M52x2	L90K	J1 M52x2 p	XWSV 42 - L



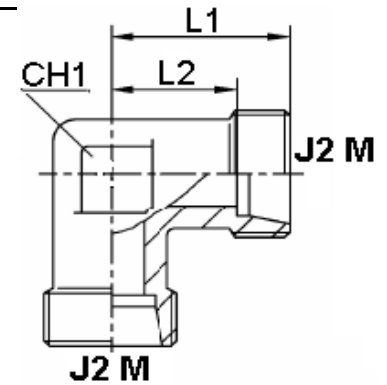
J1 M L45K M1 M			X EV - L	-
J1 M12x1,5	L45K	M1 M12x1,5	X EV 6 - L	
J1 M14x1,5	L45K	M1 M14x1,5	X EV 8 - L	
J1 M16x1,5	L45K	M1 M16x1,5	X EV 10 - L	
J1 M18x1,5	L45K	M1 M18x1,5	X EV 12 - L	
J1 M22x1,5	L45K	M1 M22x1,5	X EV 15 - L	
J1 M26x1,5	L45K	M1 M26x1,5	X EV 18 - L	
J1 M30x2	L45K	M1 M30x2	X EV 22 - L	
J1 M36x2	L45K	M1 M36x2	X EV 28 - L	
J1 M45x2	L45K	M1 M45x2	X EV 35 - L	
J1 M52x2	L45K	M1 M52x2	X EV 42 - L	



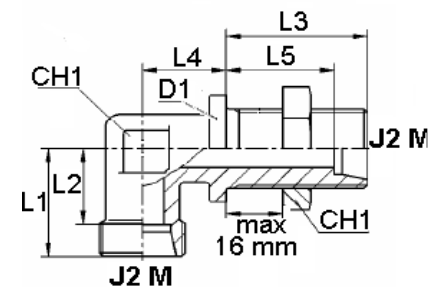
J1 M L90K M1 M			X EW - L	-
J1 M12x1,5	L90K	M1 M12x1,5	X EW 6 - L	
J1 M14x1,5	L90K	M1 M14x1,5	X EW 8 - L	
J1 M16x1,5	L90K	M1 M16x1,5	X EW 10 - L	
J1 M18x1,5	L90K	M1 M18x1,5	X EW 12 - L	
J1 M22x1,5	L90K	M1 M22x1,5	X EW 15 - L	
J1 M26x1,5	L90K	M1 M26x1,5	X EW 18 - L	
J1 M30x2	L90K	M1 M30x2	X EW 22 - L	
J1 M36x2	L90K	M1 M36x2	X EW 28 - L	
J1 M45x2	L90K	M1 M45x2	X EW 35 - L	
J1 M52x2	L90K	M1 M52x2	X EW 42 - L	



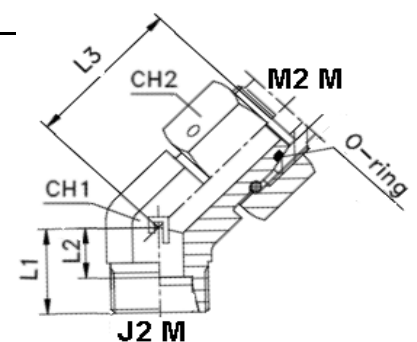
J2 M L90K J2 M			X W - S	-
J2 M14x1,5	L90K	J2 M14x1,5	X W 6 - S	
J2 M16x1,5	L90K	J2 M16x1,5	X W 8 - S	
J2 M18x1,5	L90K	J2 M18x1,5	X W 10 - S	
J2 M20x1,5	L90K	J2 M20x1,5	X W 12 - S	
J2 M22x1,5	L90K	J2 M22x1,5	X W 14 - S	
J2 M24x1,5	L90K	J2 M24x1,5	X W 16 - S	
J2 M30x2	L90K	J2 M30x2	X W 20 - S	
J2 M36x2	L90K	J2 M36x2	X W 25 - S	
J2 M42x2	L90K	J2 M42x2	X W 30 - S	
J2 M52x2	L90K	J2 M52x2	X W 38 - S	



J2 M L90K J2 M p			X WSV - S	-
J2 M14x1,5	L90K	J2 M14x1,5 p	X WSV 6 - S	
J2 M16x1,5	L90K	J2 M16x1,5 p	X WSV 8 - S	
J2 M18x1,5	L90K	J2 M18x1,5 p	X WSV 10 - S	
J2 M20x1,5	L90K	J2 M20x1,5 p	X WSV 12 - S	
J2 M22x1,5	L90K	J2 M22x1,5 p	X WSV 14 - S	
J2 M24x1,5	L90K	J2 M24x1,5 p	X WSV 16 - S	
J2 M30x2	L90K	J2 M30x2 p	X WSV 20 - S	
J2 M36x2	L90K	J2 M36x2 p	X WSV 25 - S	
J2 M42x2	L90K	J2 M42x2 p	X WSV 30 - S	
J2 M52x2	L90K	J2 M52x2 p	X WSV 38 - S	

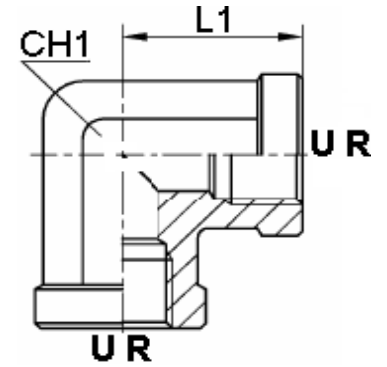


J2 M L45K M2 M			X EV - S	-
J2 M14x1,5	L45K	M2 M14x1,5	X EV 6 - S	
J2 M16x1,5	L45K	M2 M16x1,5	X EV 8 - S	
J2 M18x1,5	L45K	M2 M18x1,5	X EV 10 - S	
J2 M20x1,5	L45K	M2 M20x1,5	X EV 12 - S	
J2 M22x1,5	L45K	M2 M22x1,5	X EV 14 - S	
J2 M24x1,5	L45K	M2 M24x1,5	X EV 16 - S	
J2 M30x2	L45K	M2 M30x2	X EV 20 - S	
J2 M36x2	L45K	M2 M36x2	X EV 25 - S	
J2 M42x2	L45K	M2 M42x2	X EV 30 - S	
J2 M52x2	L45K	M2 M52x2	X EV 38 - S	





UR	L90K	UR
UR 1/8"	L90K	UR 1/8"
UR 1/4"	L90K	UR 1/4"
UR 3/8"	L90K	UR 3/8"
UR 1/2"	L90K	UR 1/2"
UR 3/4"	L90K	UR 3/4"
UR1"	L90K	UR1"
UR1.1/4"	L90K	UR1.1/4"
UR1.1/2"	L90K	UR1.1/2"
UR2"	L90K	UR2"



- Napomene :**
- Navedene paralelene oznake tvrtke "Parker" su ERMETO za nipele i redukcije sa glavama J i M sa metričkim navojem prema DIN 2353, TRIPLE-LOK sa glavama D i K s UNF navojem prema SAE J514 (JIC) i O-LOK sa glavama C i G s UNF navojem prema SAE J1453 (ORFS).
  - GB UN/UNF glave karakterizira ravno čelo (bez O-ringa kojeg imaju G UN/UNF/UNS glave), navoj kakav ina imaju K UN/UNF glave i šesterokut sa O-ringom koji omogućava brtvljenje prilikom uvrtnja u "rupe" s unutarnjim navojem.