

NISKOTLAČNI RAVNI NIPELI I REDUKCIJE

TIP | MATERIJAL

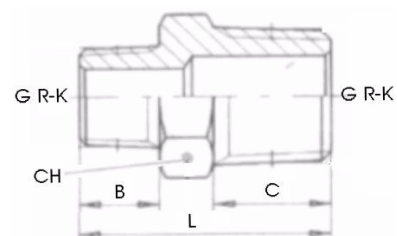
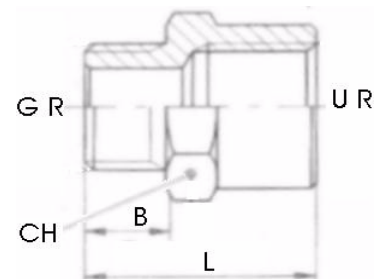
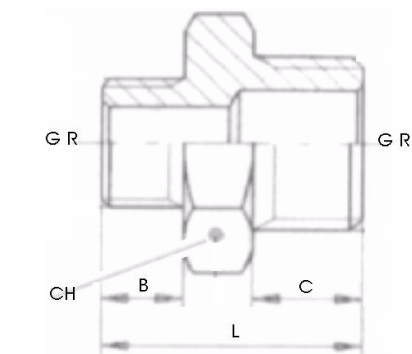
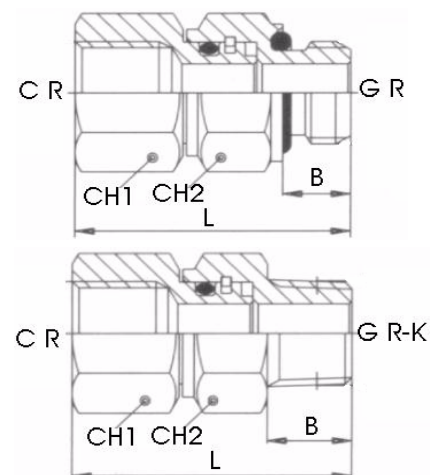
CR - GR	Ms/Ni
CR 1/8" - GR 1/8"	Ms/Ni
CR 1/4" - GR 1/4"	Ms/Ni
CR 3/8" - GR 3/8"	Ms/Ni
CR 1/2" - GR 1/2"	Ms/Ni

CR - GR-K	Ms/Ni
CR 1/8" - GR 1/8"K	Ms/Ni
CR 1/4" - GR 1/4"K	Ms/Ni
CR 3/8" - GR 3/8"K	Ms/Ni

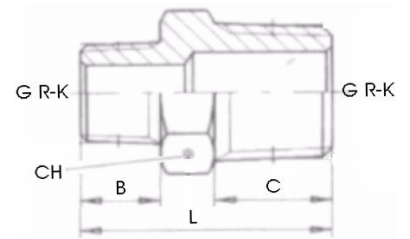
GR - GR	Ms/Ni
GR 1/8" - GR 1/8"	Ms/Ni
GR 1/8" - GR 1/4"	Ms/Ni
GR 1/8" - GR 3/8"	Ms/Ni
GR 1/8" - GR 1/2"	Ms/Ni
GR 1/4" - GR 1/4"	Ms/Ni
GR 1/4" - GR 3/8"	Ms/Ni
GR 1/4" - GR 1/2"	Ms/Ni
GR 1/4" - GR 3/4"	Ms/Ni
GR 3/8" - GR 3/8"	Ms/Ni
GR 3/8" - GR 1/2"	Ms/Ni
GR 3/8" - GR 3/4"	Ms/Ni
GR 1/2" - GR 1/2"	Ms/Ni
GR 1/2" - GR 3/4"	Ms/Ni
GR 1/2" - GR 1"	Ms/Ni
GR 3/4" - GR 3/4"	Ms/Ni
GR 3/4" - GR 1"	Ms/Ni
GR 1" - GR 1"	Ms/Ni

GR - UR	Ms/Ni
GR 1/8" - UR 1/8"	Ms/Ni
GR 1/8" - UR 1/4"	Ms/Ni
GR 1/8" - UR 3/8"	Ms/Ni
GR 1/4" - UR 1/8"	Ms/Ni
GR 1/4" - UR 1/4"	Ms/Ni
GR 1/4" - UR 3/8"	Ms/Ni
GR 1/4" - UR 1/2"	Ms/Ni
GR 3/8" - UR 1/8"	Ms/Ni
GR 3/8" - UR 1/4"	Ms/Ni
GR 3/8" - UR 3/8"	Ms/Ni
GR 3/8" - UR 1/2"	Ms/Ni
GR 1/2" - UR 1/8"	Ms/Ni
GR 1/2" - UR 1/4"	Ms/Ni
GR 1/2" - UR 3/8"	Ms/Ni
GR 1/2" - UR 1/2"	Ms/Ni
GR 3/4" - UR 3/8"	Ms/Ni
GR 3/4" - UR 1/2"	Ms/Ni

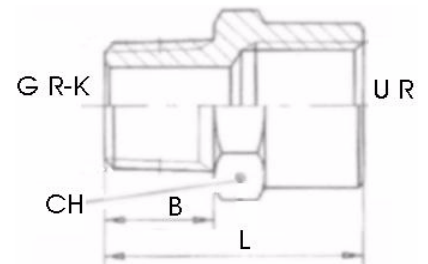
GR-K - GR-K	Ms/Ni
GR 1/8"K - GR 1/8"K	Ms/Ni
GR 1/8"K - GR 1/4"K	Ms/Ni
GR 1/8"K - GR 3/8"K	Ms/Ni
GR 1/8"K - GR 1/2"K	Ms/Ni
GR 1/4"K - GR 1/4"K	Ms/Ni
GR 1/4"K - GR 3/8"K	Ms/Ni



GR 1/4"K - GR 1/2"K Ms/Ni
 GR 1/4"K - GR 3/4"K Ms/Ni
 GR 3/8"K - GR 3/8"K Ms/Ni
 GR 3/8"K - GR 1/2"K Ms/Ni
 GR 3/8"K - GR 3/4"K Ms/Ni
 GR 1/2"K - GR 1/2"K Ms/Ni
 GR 1/2"K - GR 3/4"K Ms/Ni
 GR 3/4"K - GR 3/4"K Ms/Ni
 GR 3/4"K - GR 1"K Ms/Ni
 GR 1"K - GR 1"K Ms/Ni



GR-K - UR	Ms/Ni
GR 1/8"K - UR 1/8"	Ms/Ni
GR 1/8"K - UR 1/4"	Ms/Ni
GR 1/8"K - UR 3/8"	Ms/Ni
GR 1/8"K - UR 1/2"	Ms/Ni
GR 1/4"K - UR 1/8"	Ms/Ni
GR 1/4"K - UR 1/4"	Ms/Ni
GR 1/4"K - UR 3/8"	Ms/Ni
GR 1/4"K - UR 1/2"	Ms/Ni
GR 3/8"K - UR 1/8"	Ms/Ni
GR 3/8"K - UR 1/4"	Ms/Ni
GR 3/8"K - UR 3/8"	Ms/Ni
GR 3/8"K - UR 1/2"	Ms/Ni
GR 3/8"K - UR 3/4"	Ms/Ni
GR 1/2"K - UR 1/8"	Ms/Ni
GR 1/2"K - UR 1/4"	Ms/Ni
GR 1/2"K - UR 3/8"	Ms/Ni
GR 1/2"K - UR 1/2"	Ms/Ni
GR 1/2"K - UR 3/4"	Ms/Ni
GR 3/4"K - UR 1/4"	Ms/Ni
GR 3/4"K - UR 3/8"	Ms/Ni
GR 3/4"K - UR 1/2"	Ms/Ni
GR 3/4"K - UR 3/4"	Ms/Ni
GR 1"K - UR 1/4"	Ms/Ni
GR 1"K - UR 3/8"	Ms/Ni
GR 1"K - UR 1/2"	Ms/Ni
GR 1"K - UR 3/4"	Ms/Ni
GR 1.1/4"K - UR 1/2"	Ms/Ni
GR 1.1/4"K - UR 3/4"	Ms/Ni
GR 1.1/4"K - UR 1"	Ms/Ni
GR 1.1/2"K - UR 1"	Ms/Ni
GR 2"K - UR 1"	Ms/Ni



UR - UR	Ms/Ni
UR 1/8" - UR 1/8"	Ms/Ni
UR 1/8" - UR 1/4"	Ms/Ni
UR 1/8" - UR 3/8"	Ms/Ni
UR 1/8" - UR 1/2"	Ms/Ni
UR 1/4" - UR 1/4"	Ms/Ni
UR 1/4" - UR 3/8"	Ms/Ni
UR 1/4" - UR 1/2"	Ms/Ni
UR 3/8" - UR 3/8"	Ms/Ni
UR 3/8" - UR 1/2"	Ms/Ni
UR 3/8" - UR 3/4"	Ms/Ni
UR 1/2" - UR 1/2"	Ms/Ni
UR 1/2" - UR 3/4"	Ms/Ni
UR 1/2" - UR 1"	Ms/Ni
UR 3/4" - UR 3/4"	Ms/Ni
UR 3/4" - UR 1"	Ms/Ni
UR 1" - UR 1"	Ms/Ni

