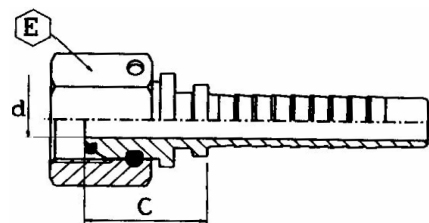
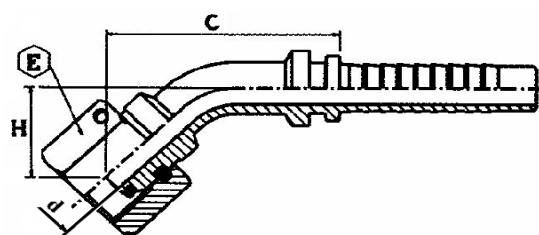


PRIKLJUČCI SA MULTISPIRALNIM NOGICAMA ZA VISOKOTLAČNE TERMOPLASTIČNE CIJEVI MTK I MTKM

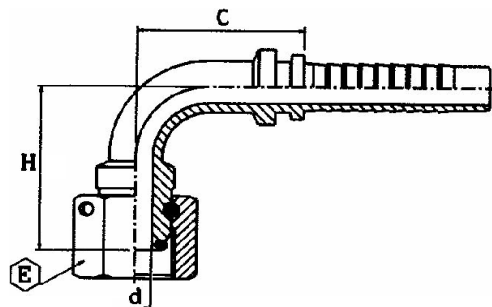
TIP	OZNAKA	STANDARD
A R	DKR	-
A R 1/4" - NP 6 MSP		
A R 3/8" - NP 10 MSP		
A R 1/2" - NP 13 MSP		
A R 5/8" - NP 16 MSP		
A R 3/4" - NP 19 MSP		
A R 1" - NP 25 MSP		



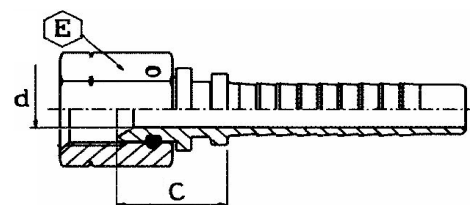
A R L45	DKR - 45	-
A R 1/4" L45 NP 6 MSP		
A R 3/8" L45 NP 10 MSP		
A R 1/2" L45 NP 13 MSP		
A R 5/8" L45 NP 16 MSP		
A R 3/4" L45 NP 19 MSP		
A R 1" L45 NP 25 MSP		



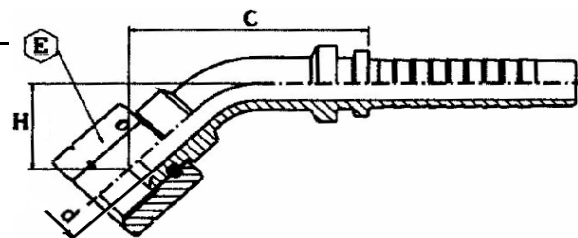
A R L90	DKR - 90	-
A R 1/4" L90 NP 6 MSP		
A R 3/8" L90 NP 10 MSP		
A R 1/2" L90 NP 13 MSP		
A R 5/8" L90 NP 16 MSP		
A R 3/4" L90 NP 19 MSP		
A R 1" L90 NP 25 MSP		



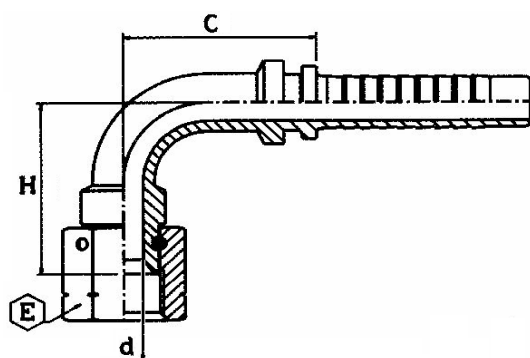
D UNF	DKJ (JIC)	SAE J514
D UNF 7/16" - NP 6 MSP		
D UNF 9/16" - NP 6 MSP		
D UNF 9/16" - NP 10 MSP		
D UNF 3/4" - NP 13 MSP		
D UNF 7/8" - NP 13 MSP		
D UNF 7/8" - NP 16 MSP		
D UNF1.1/16" - NP 19 MSP		
D UNF1.5/16" - NP 25 MSP		



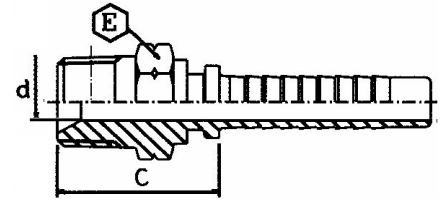
D UNF L45	DKJ - 45 (JIC)	SAE J514
D UNF 7/16" L45 NP 6 MSP		
D UNF 9/16" L45 NP 10 MSP		
D UNF 3/4" L45 NP 13 MSP		
D UNF 7/8" L45 NP 13 MSP		
D UNF 7/8" L45 NP 16 MSP		
D UNF1.1/16" L45 NP 19 MSP		
D UNF1.5/16" L45 NP 25 MSP		



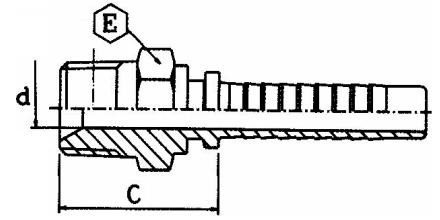
D UNF L90	DKJ - 90 (JIC)	SAE J514
D UNF 7/16" L90 NP 6 MSP		
D UNF 9/16" L90 NP 10 MSP		
D UNF 3/4" L90 NP 13 MSP		
D UNF 7/8" L90 NP 13 MSP		
D UNF 7/8" L90 NP 16 MSP		
D UNF1.1/16" L90 NP 19 MSP		
D UNF1.5/16" L90 NP 25 MSP		



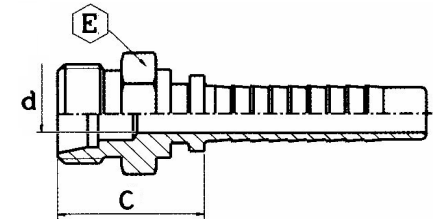
H NPT-K	AGN	SAE J516
H NPT 1/4"K - NP 6 MSP		
H NPT 3/8"K - NP 6 MSP		
H NPT 3/8"K - NP 10 MSP		
H NPT 1/2"K - NP 13 MSP		
H NPT 3/4"K - NP 19 MSP		
H NPT1"K - NP 25 MSP		



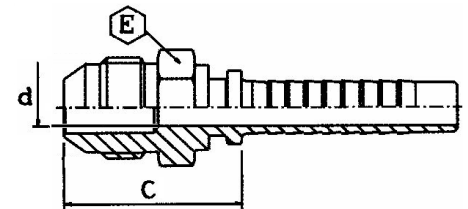
H R	AGR	-
H R 1/4" - NP 6 MSP		
H R 3/8" - NP 10 MSP		
H R 1/2" - NP 13 MSP		
H R 5/8" - NP 16 MSP		
H R 3/4" - NP 19 MSP		
H R1" - NP 25 MSP		



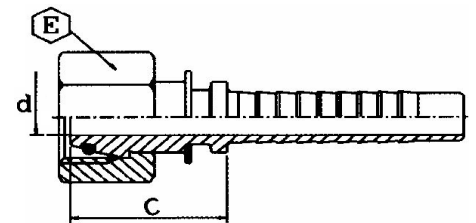
J2 M	CES	DIN 3853
J2 M24x1,5 - NP 13 MSP		
J2 M30x2 - NP 16 MSP		
J2 M36x2 - NP 19 MSP		
J2 M42x2 - NP 25 MSP		



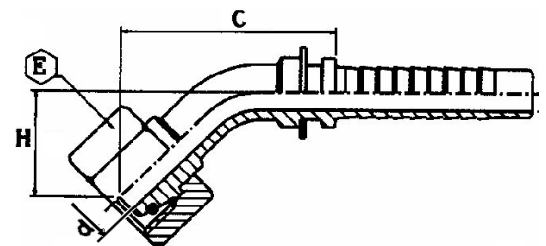
K UNF	AGJ (JIC)	SAE J514
K UNF 7/16" - NP 6 MSP		
K UNF 9/16" - NP 6 MSP		
K UNF 9/16" - NP 10 MSP		
K UNF 3/4" - NP 13 MSP		
K UNF 7/8" - NP 13 MSP		
K UNF 7/8" - NP 16 MSP		
K UNF1.1/16" - NP 19 MSP		
K UNF1.5/16" - NP 19 MSP		
K UNF1.5/16" - NP 25 MSP		



M2 M	DKOS	DIN 3865
M2 M14x1,5 - NP 6 MSP		
M2 M16x1,5 - NP 6 MSP		
M2 M18x1,5 - NP 6 MSP		
M2 M20x1,5 - NP 10 MSP		
M2 M22x1,5 - NP 10 MSP		
M2 M24x1,5 - NP 13 MSP		
M2 M30x2 - NP 16 MSP		
M2 M36x2 - NP 19 MSP		
M2 M42x2 - NP 25 MSP		



M2 M L45	DKOS - 45	DIN 3865
M2 M24x1,5 L45 NP 13 MSP		
M2 M30x2 L45 NP 16 MSP		
M2 M36x2 L45 NP 19 MSP		
M2 M42x2 L45 NP 25 MSP		



M2 M L90	DKOS - 90	DIN 3865
M2 M24x1,5 L90 NP 13 MSP		
M2 M30x2 L90 NP 16 MSP		
M2 M30x2 L90 NP 19 MSP		
M2 M36x2 L90 NP 19 MSP		
M2 M42x2 L90 NP 25 MSP		

